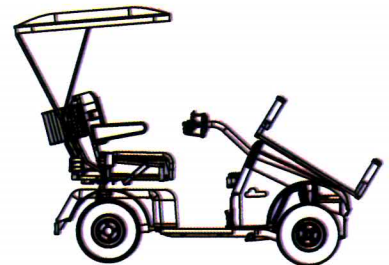


**34 Series
Technical Manual**



WARNING!**This manual is intended for use in the identification and ordering of service parts.**

This manual contains proprietary information that is protected by copyright. All rights are reserved. No part of this manual may be photocopied, reproduced or translated to another language without the written consent of Regal Research and Mfg. Co.

The vehicle described in this manual conforms to the applicable portions of the current American National Standards Institute's Z130 Safety and Performance Requirements for Golf Cars. This standard, which promotes safety in the design, application, and operation of golf cars, defines a golf car as "a vehicle used to convey a person or persons and equipment to play the game of golf in an area designated as a golf course".

Adaptive Devices LLC is not liable for errors in this manual or for incidental or consequential damages that result from the use of the material in this manual.

The information in this manual is subject to change without notice.

Adaptive Devices LLC reserves the right to make design changes to vehicles without obligation to make these changes on units previously sold. Recent changes to the vehicle described in this manual may not be reflected in this manual.

HOW TO ORDER PARTS

Replacement part and accessories can be obtained by calling our toll free number at 800-898-3353.

Adaptive Devices LLC
3000 East Plano Parkway
Plano, TX 75074
Phone 800-898-3353
Fax 972-272-0220
www.solorider.com

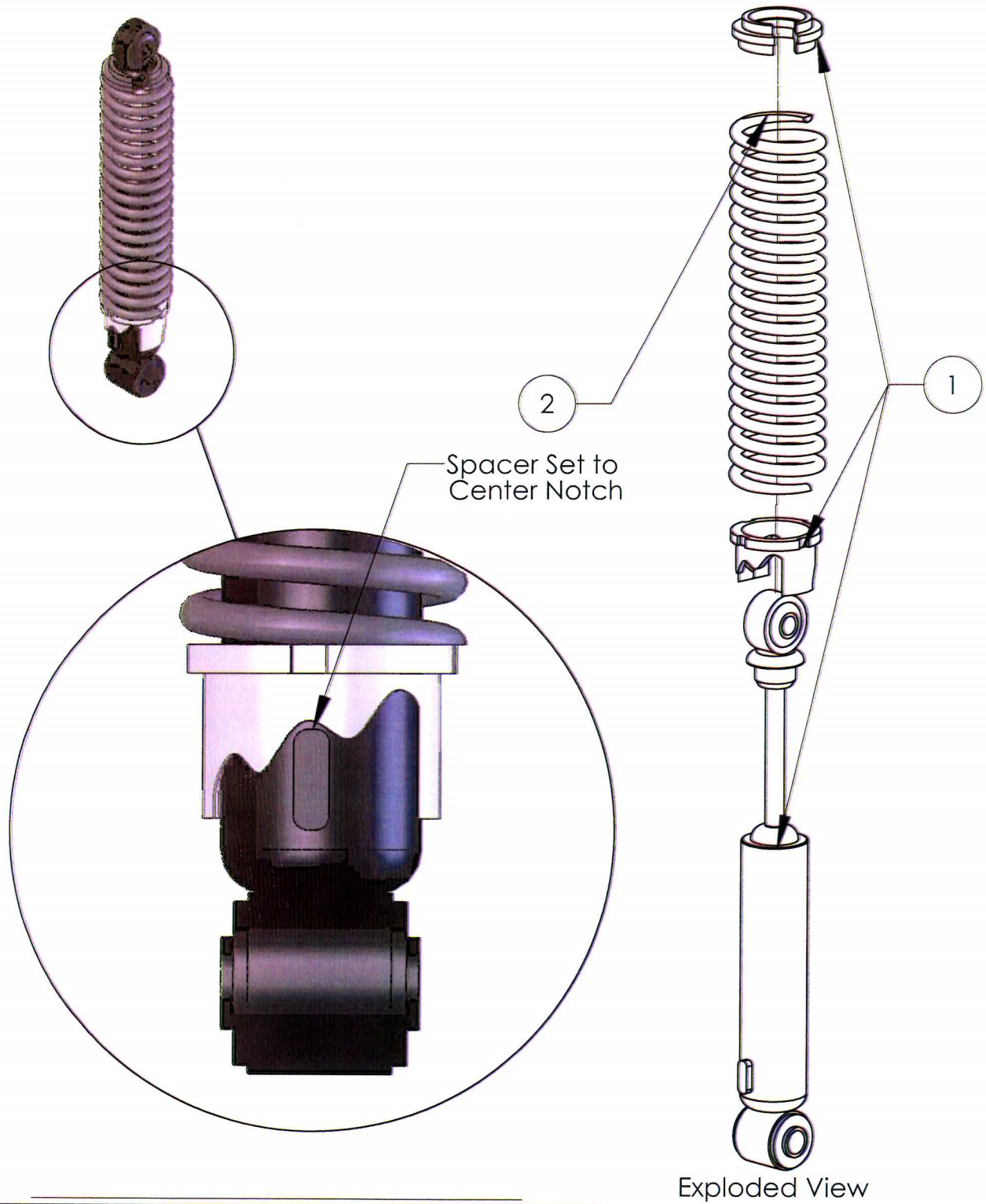
Table of Contents

1. Sub-Assemblies
 - 1.1 Shock Assembly
 - 1.2 Spindle Assembly
 - 1.3 Tie Rod Assembly
 - 1.4 Console Assembly
 - 1.5 PB6 Assembly
 - 1.6 Dash & Charge Receptical Assembly
 - 1.7 Steering Tiller Assembly
 - 1.8 Console Installation
2. Frame Setup
 - 2.1 Steering Tiller Installation
3. Front Suspension Installation
 - 3.1 Shock, Spindle & Tie Rod Installation
4. Transaxle
 - 4.1 Transaxle Assembly
 - 4.2 Transaxle Installation
5. Electrical Panel
 - 5.1 Electrical Panel Assembly
 - 5.2 Electrical Panel Installation
6. Battery Installation
7. Charge Receptacle & Dash Installation
8. Wiring Diagram
9. Tire Installation
10. Rear Body Installation
11. Hood
 - 11.1 Hood Assembly
 - 11.2 Hood & Support Installation
12. Stand Up Seat
 - 12.1 Seat Frame Installation
 - 12.2 Seat Brake Installation
 - 12.3 Seat Bottom Installation
 - 12.4 Sun Canopy Assembly
 - 12.5 Standard Seat Back Installation
 - 12.6 Sun Canopy Installation
 - 12.7 Actuator & Basket Installation
 - 12.8 Stand-up Seat Installation

1.1 Shock Assembly

ITEM NO.	PART NUMBER	DESCRIPTION	QTY.
1	10073	Shock Absorber	1
2	10075	Spring, Coil	1

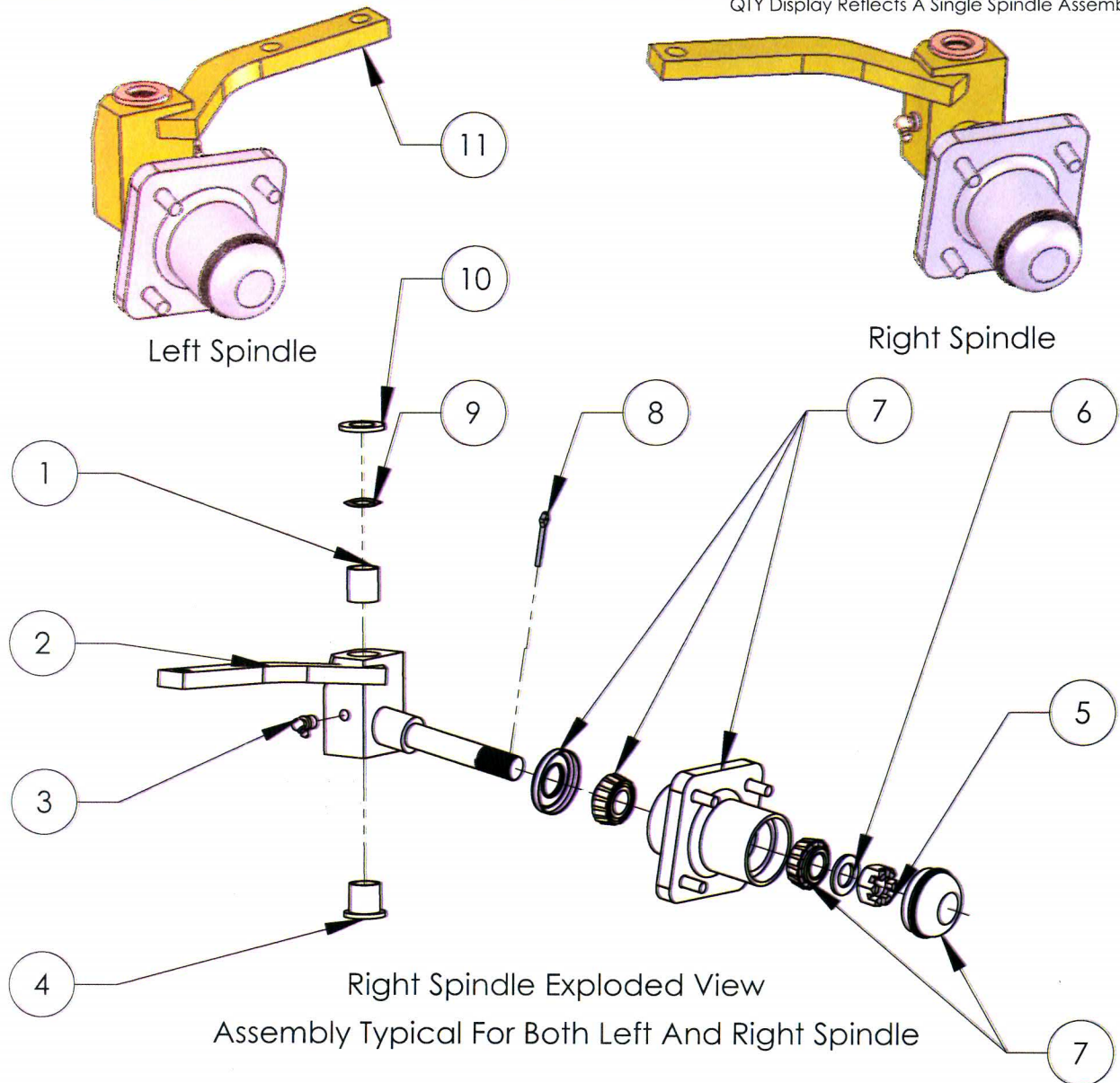
4x Assembled Shocks Required For Installation



1.2 Spindle Assembly

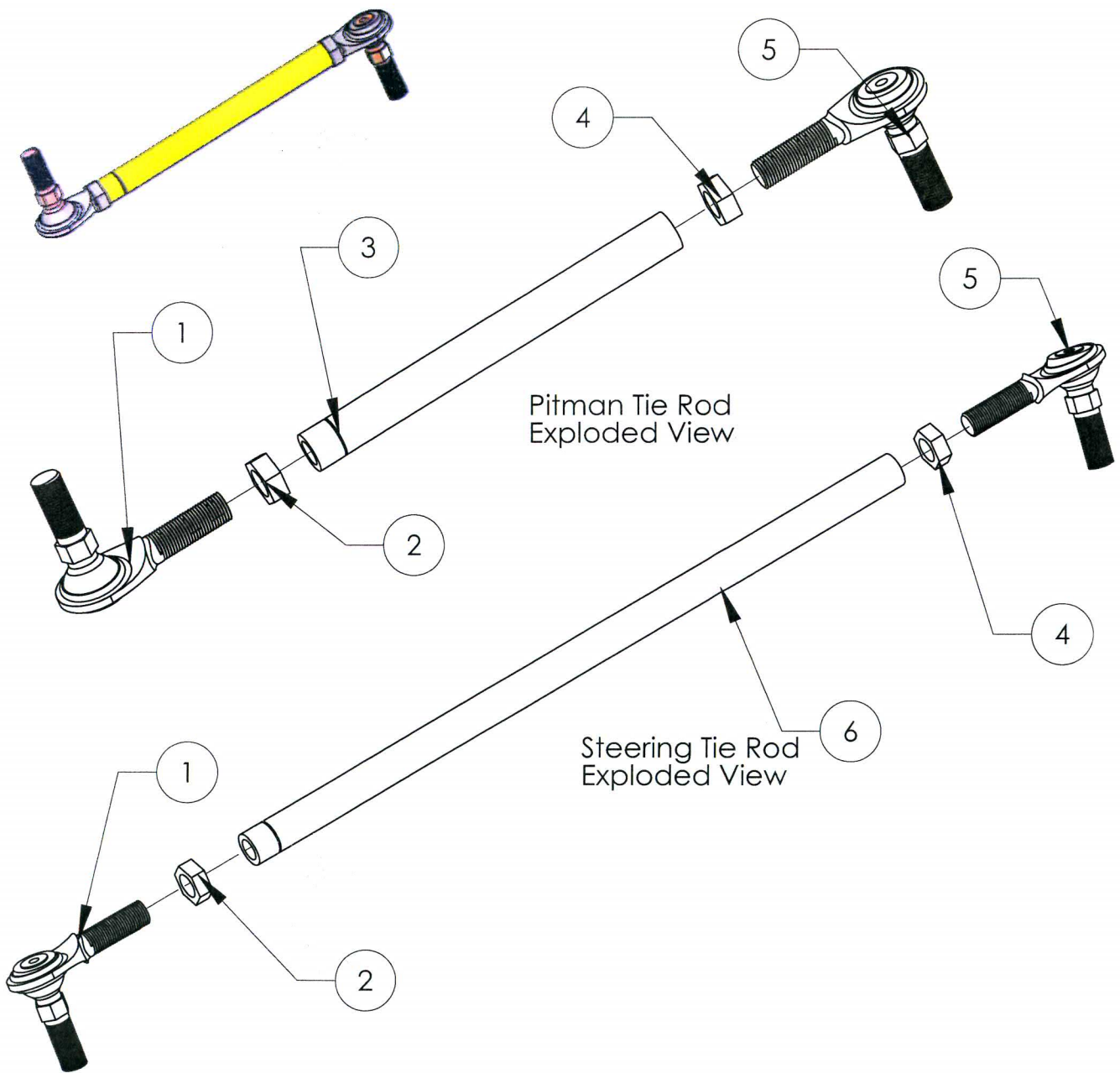
ITEM NO.	PART NUMBER	DESCRIPTION	QTY. Left Spindle	Qty. Right Spindle
1	0008067	Bushing, Bronze Spindle	1	1
2	10058	Spindle Asm, Right	0	1
3	90104	Grease Fitting. 90 deg. 1/8 NPT	1	1
4	0007048	Bushing Bronze	1	1
5	0007840	Nut, Slotted 3/4	1	1
6	90035	Washer Thrust	1	1
7	1011892	Hub Assembly, Front	1	1
8	90099	Cotter Pin, 5/32 x 1.0	1	1
9	1016389	Washer, Wave Kingpin	1	1
10	1010150	Thrust Bearing	1	1
11	10051	Spindle Asm Left	1	0

QTY Display Reflects A Single Spindle Assembly



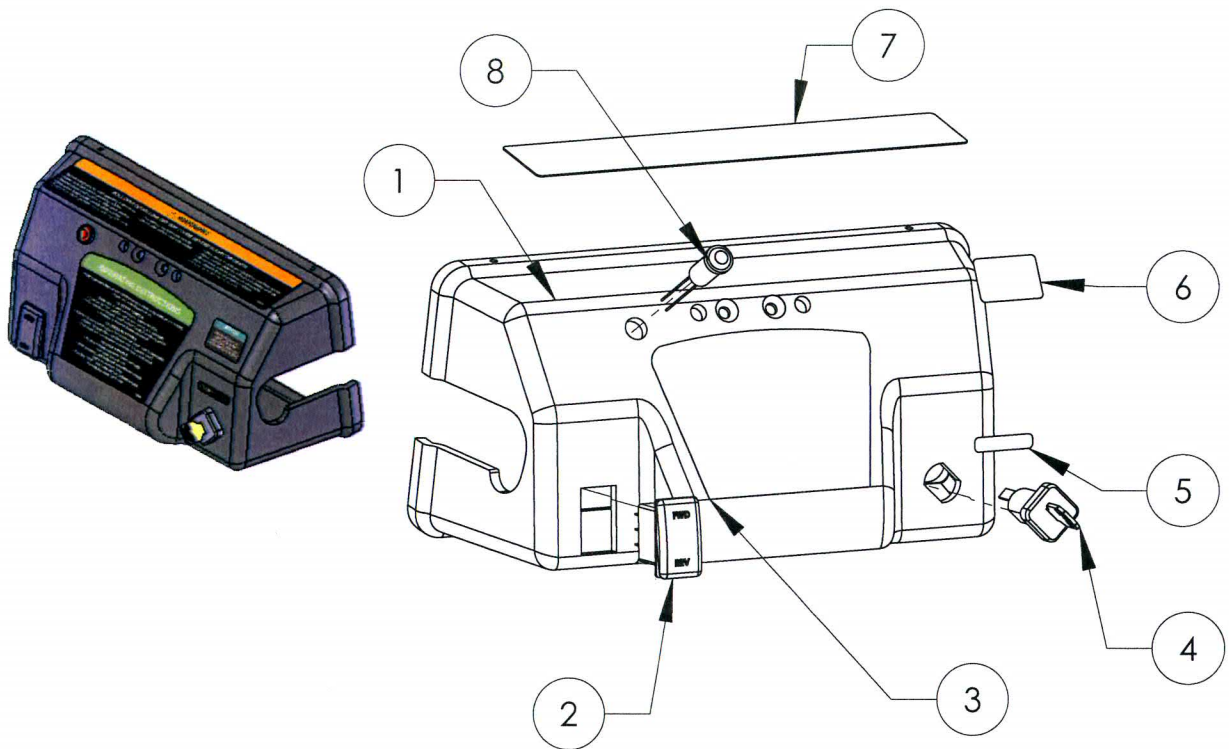
1.3 Tie Rod Assembly

ITEM NO.	PART NUMBER	DESCRIPTION	QTY. Pitman Tie Rod	QTY. Steering Tie Rod
1	10049	Hiem Joint, LH	1	1
2	0007554 R	Nut, 1/2-20 RH	1	1
3	10072	Pitman Rod	1	0
4	0007555 L	Nut, 1/2-20 LH	1	1
5	10048	Hiem Joint, RH	1	1
6	10071	Tie Rod, Long	0	1

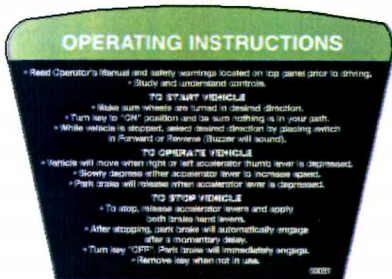


1.4 Console Assembly

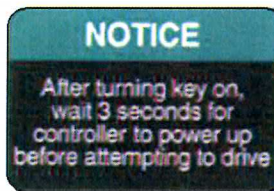
ITEM NO.	PART NUMBER	DESCRIPTION	QTY.
1	50058	Console, Steering Front	1
2	40017	FWD/REV Swith	1
3	50051	Decal, Operating Instructions	1
4	40011	Switch, Key On/Off	1
5	101825101	Decal Key Switch	1
6	50066	Decal notice Wait Throttle	1
7	50052	Decal, Driver Warning	1
8	40059	Led Warning Light	1



Decals



50051



50066



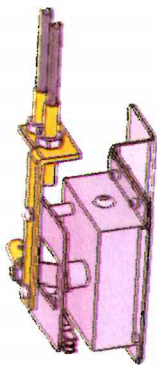
101825101



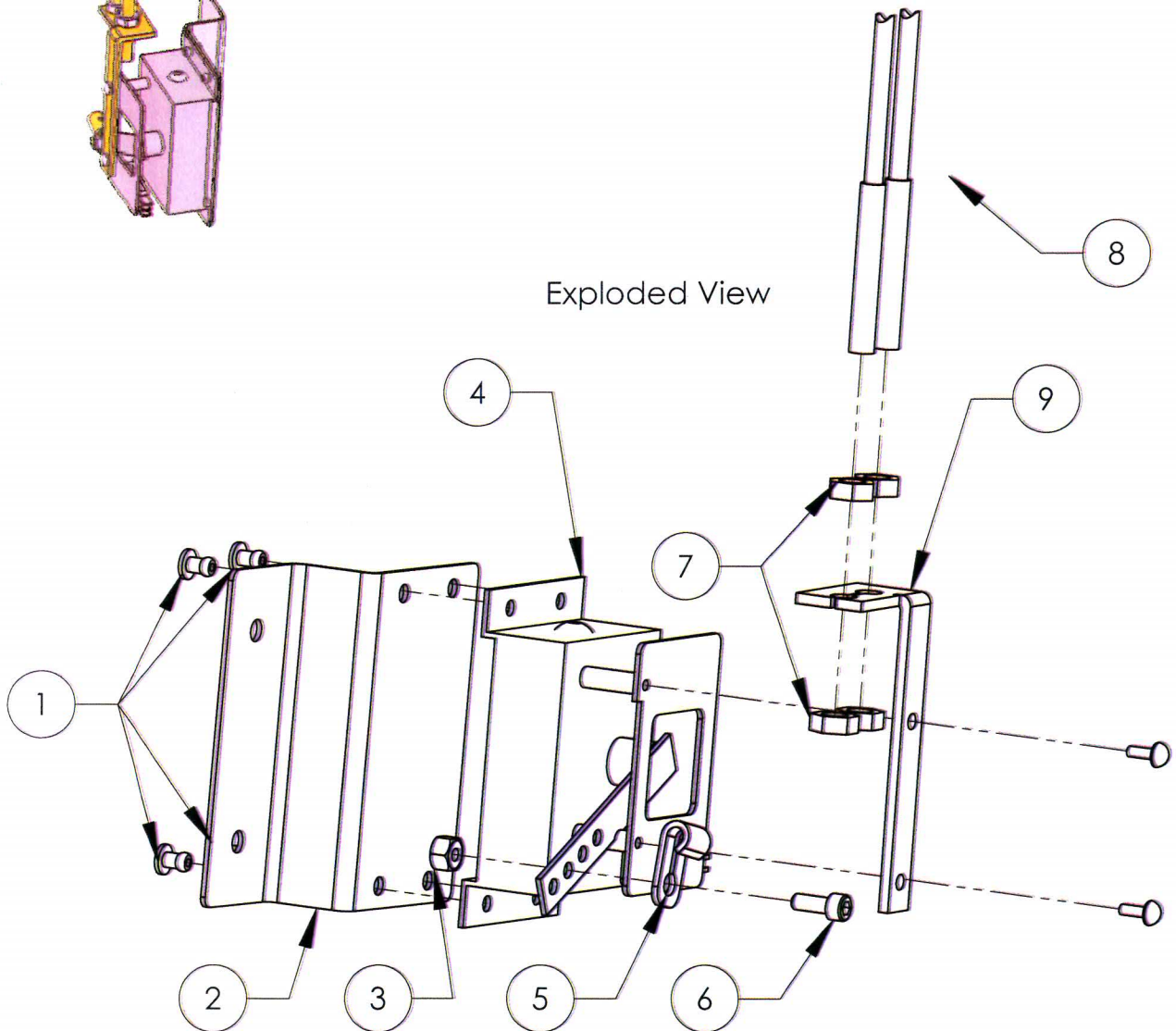
50052

1.5 PB6 Assembly

ITEM NO.	PART NUMBER	DESCRIPTION	QTY.
1	90162	3/16 x 1/8 6-2 Alum, Alum Dome Rivet	4
2	60462	PB6 Bracket	1
3	90132	Nut 10-24 Nylock	1
4	40018	PB6, Pot Box	1
5	90139	Half Clevis	1
6	90128	Screw SOC HD, 10-24 x .5	1
7	90145	Nut Hex Jam 5/16-24 Zinc	4
8	30043	Accel Handle	2
9	60071	Bracket, Accel Control	1



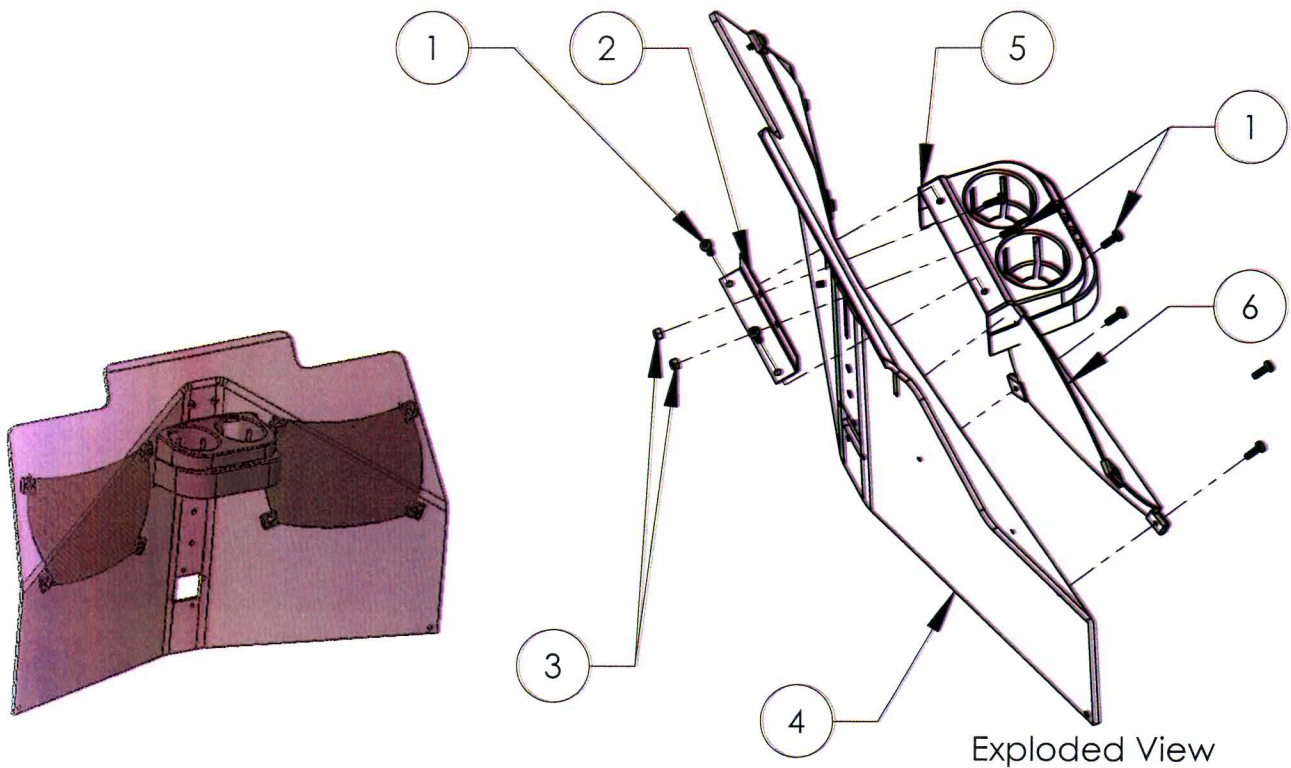
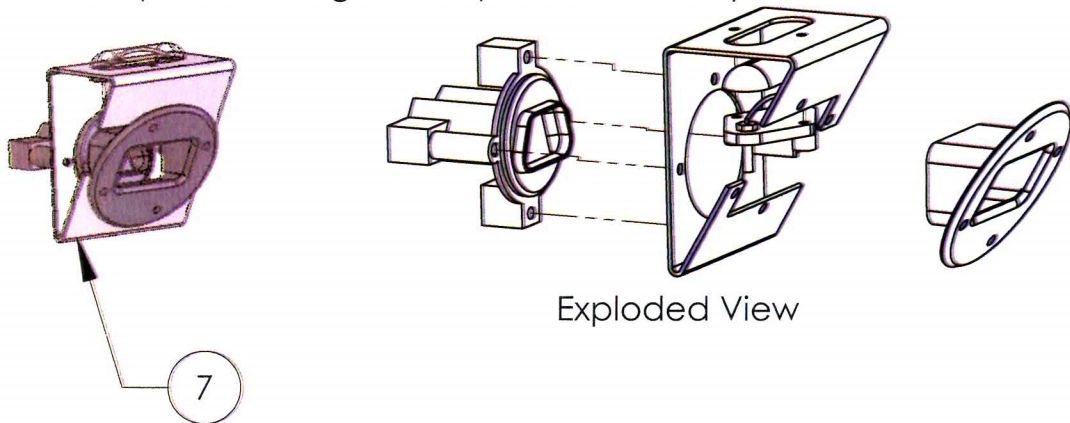
Exploded View



1.6 Dash & Charge Receptacle Assembly

ITEM NO.	PART NUMBER	DESCRIPTION	QTY.
1	90092	Screw, HH 1/4-20 x 1.00	12
2	60361	Cupholder Support	1
3	90044	Nut, Hex 1/4-20 Nylon Lock	2
4	50046	Dash	1
5	10170831	Drink Holder	1
6	50049	Pouch Storage	1
7	101342501	Recharge Receptacle	1

Simplified Charge Receptacle Assembly

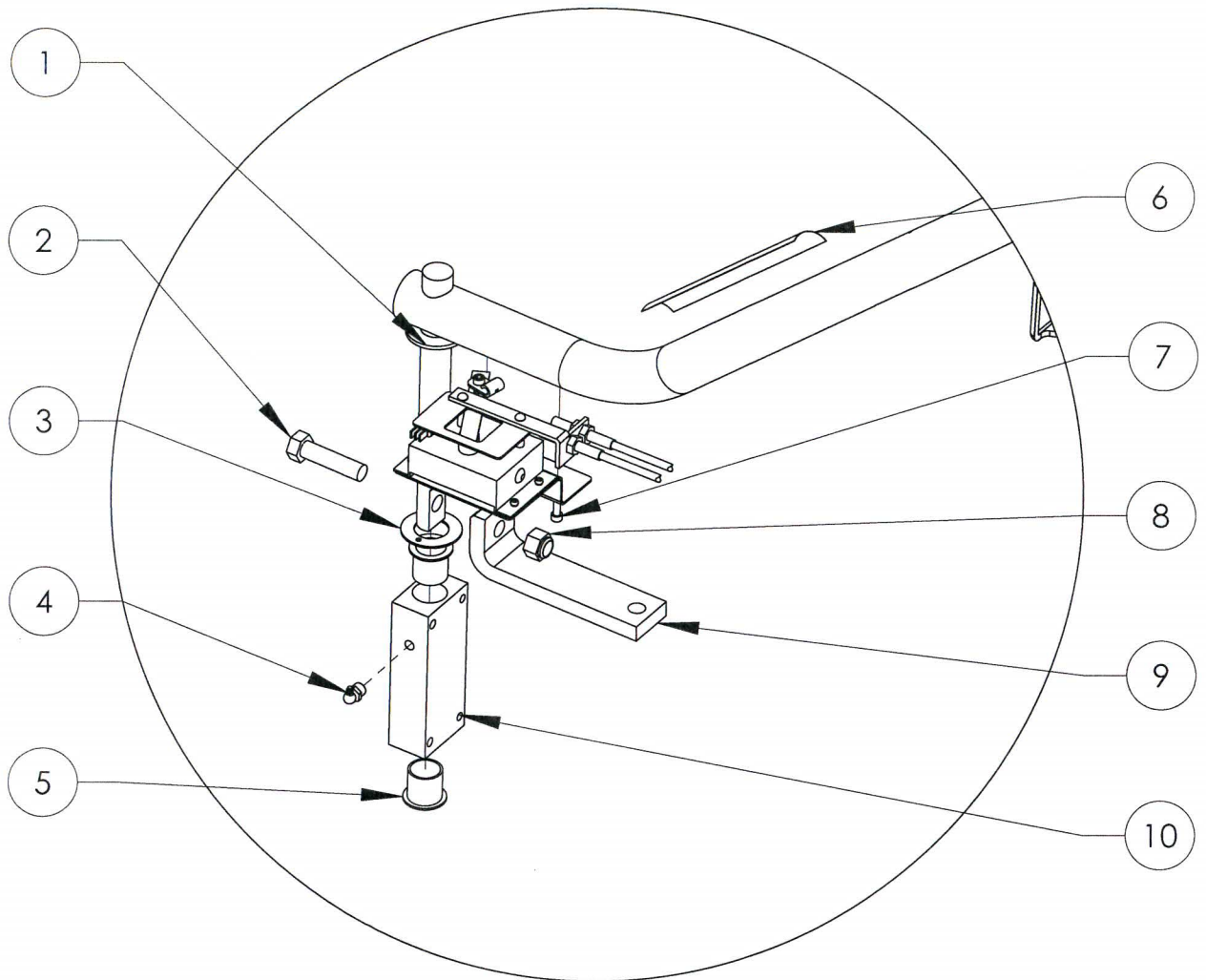


1.7 Steering Tiller Assembly

ITEM NO.	PART NUMBER	DESCRIPTION	QTY.
1	70034	Steering Tiller Arm	1
2	90163	Capscrew HH 12-13 x 2.0	1
3	90050	Washer PL LTI 1628 01	1
4	90104	Grease Fitting, 90 deg 1/8 NPT	1
5	90049	Bushing, MFI 1416-16	2
6	50059	Decal, Tiller Warning	1
7	90128	Screw SOC HD, 10-24 x .5	2
8	90166	Nut, HH 1/2-13 Nylock	1
9	70035	Steering Pitman Arm	1
10	70015	Housing, Steering Tiller	1



1. Lower Assembly



WARNING

IMPROPER TOW SWITCH POSITION MAY CAUSE VEHICLE DAMAGE, PERSONAL INJURY, OR DEATH.

- Before towing, select "TOW" position which will release park brake.
- Select "OFF" position before disconnecting batteries, servicing vehicle, or extended storage.
- Must be in "RUN" position for vehicle operation.

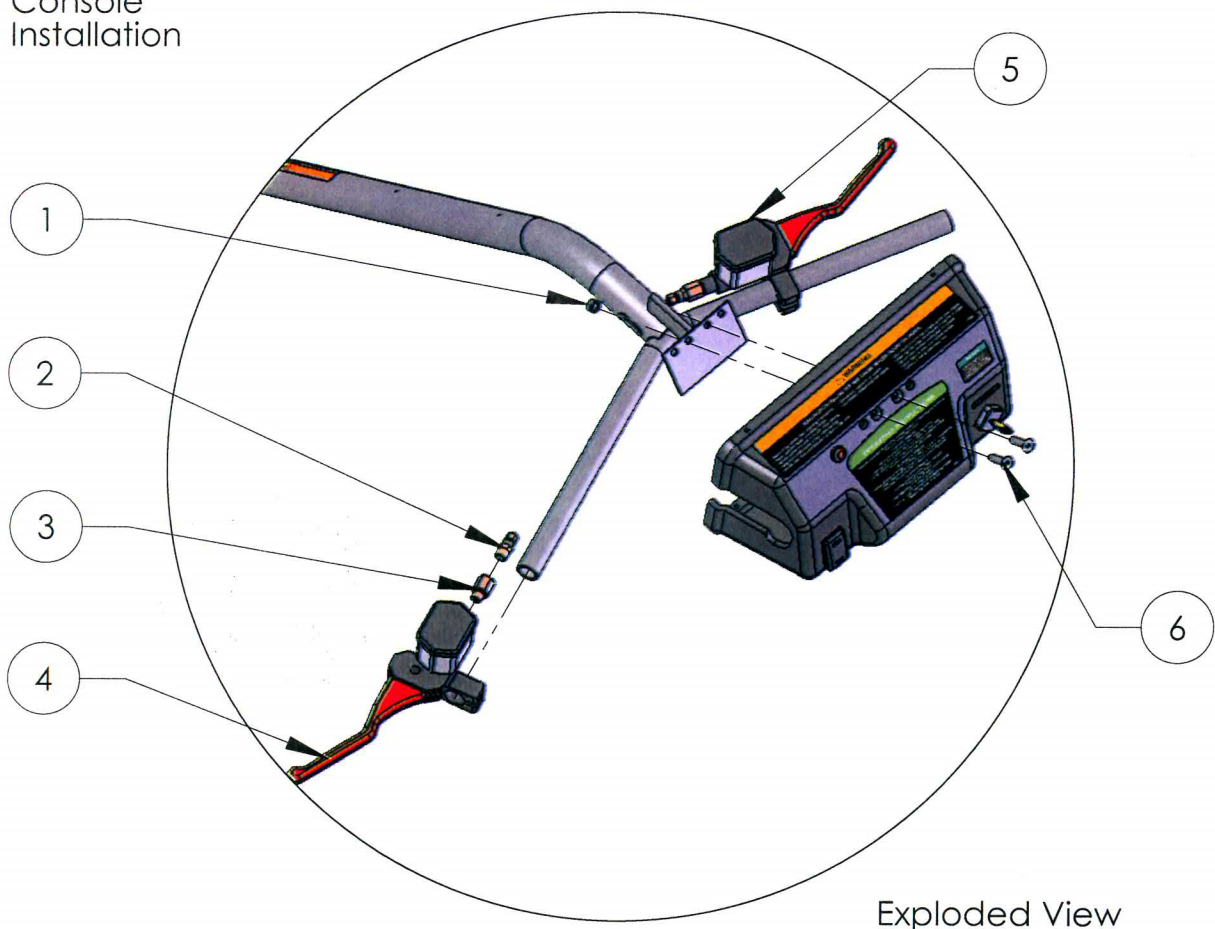
50059

50059

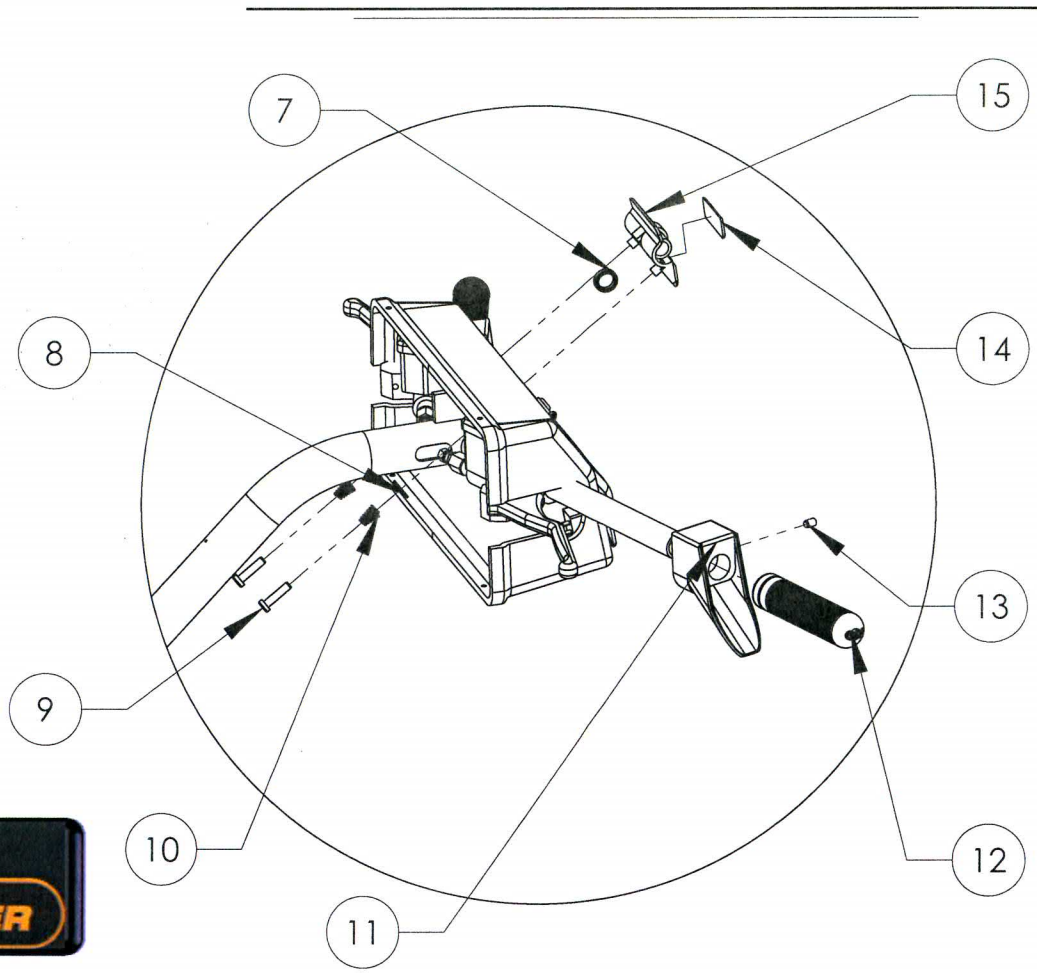
1.8 Console Instalation

ITEM NO.	PART NUMBER	DESCRIPTION	QTY
1	90044	Nut, Hex 1/4-20 Nylon Lock	2
2	20033	Fitting, 1/8NPT 68CA-4-2	2
3	20035	Adpr Mast Cyl 10MM-1/8N	1
4	20015	Brake Handle Left	1
5	20016	Brake Handle Right	1
6	90093	Screw, FH 1/4-20 x 1.00	2
7	1016214	Pencil Holder	1
8	90095	Washer Flat SAE Zinc 1/4	2
9	1012565	Screw, Phil # 14 x 1.0	2
10	1012566	Score Card Spring	2
11	30043	Accel Grip	2
12	90029	ODI Hand Grip	2
13	90219SS	Socket Head Set Screw 1/4-20 X 3/8	2
14	60403	Solo Scorecard Decal	1
15	1016154	Score Card Holder	1
16	90152	Screw, Philpan Zinc Tapping 8 x 5/8	4
17	50022	Console, Steering Back	1

1 Console Installation

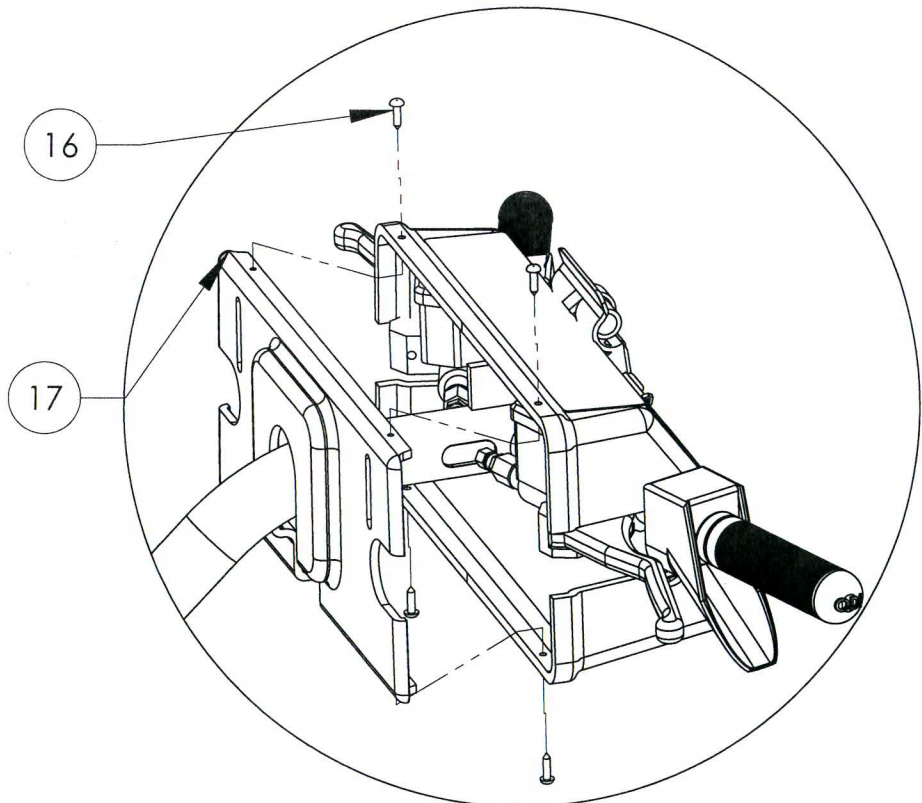


2. Score Card Installation

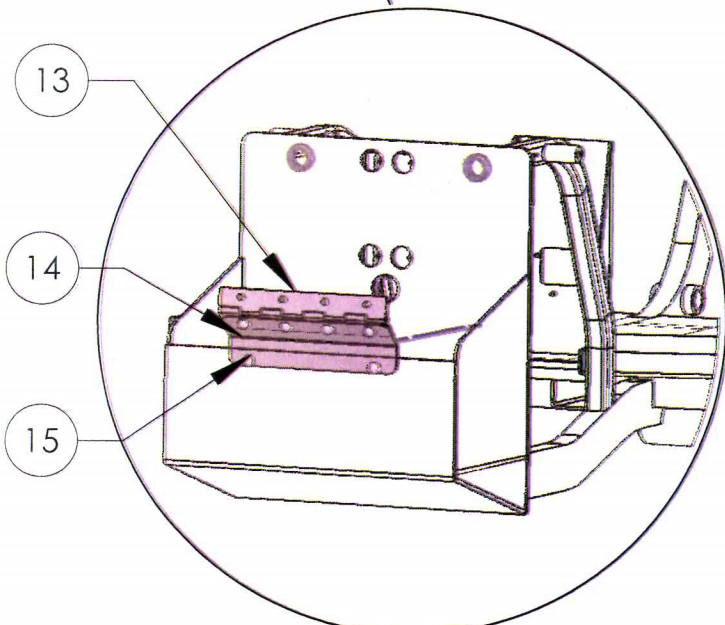
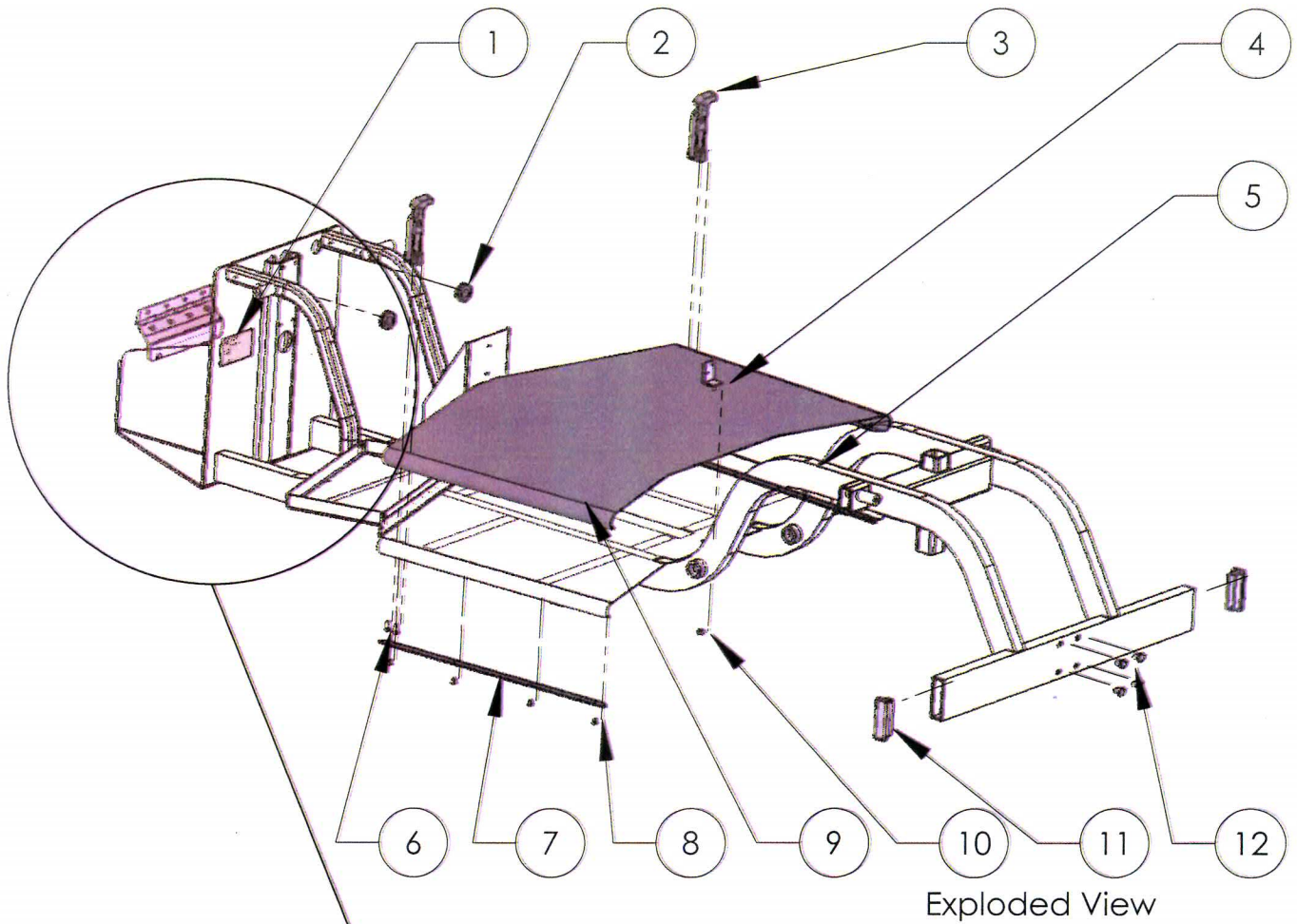


60403

3. Back Console Installation



2. Frame Setup

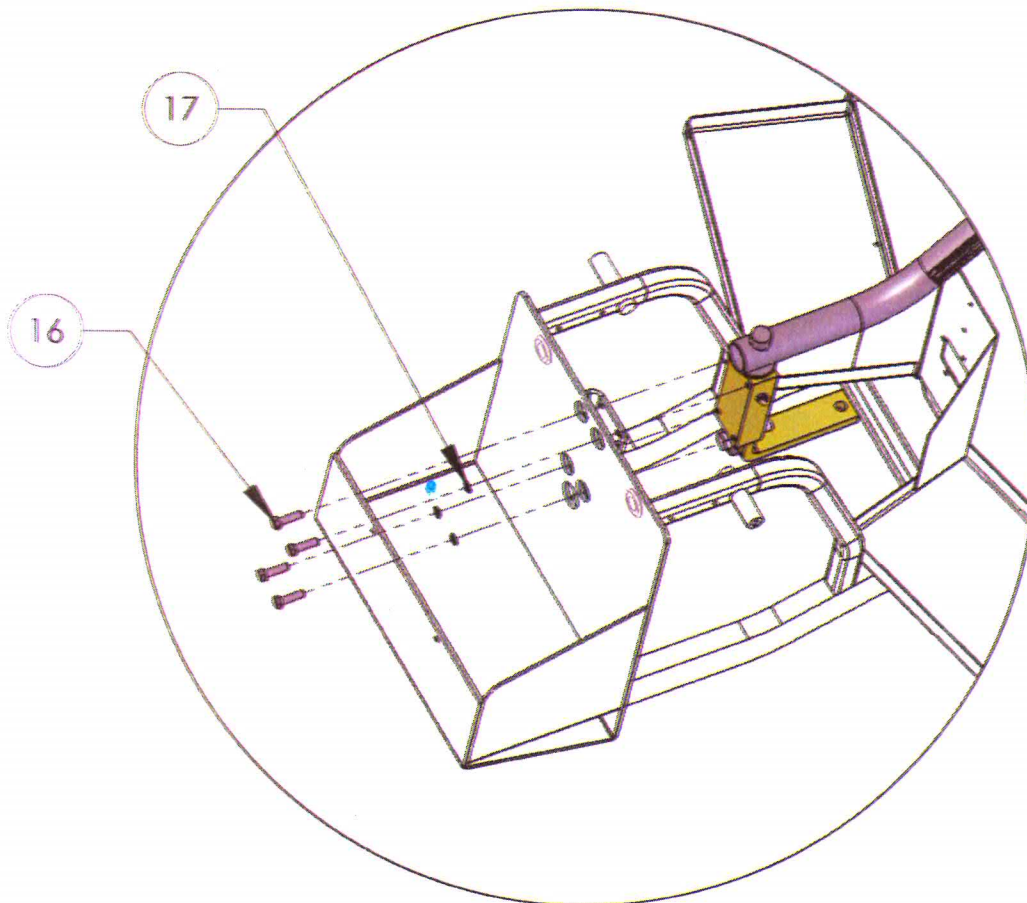


SoloRider Management, LLC
7315 S. Revere Pkwy
Suite 604
Centennial, CO 80112
Model Serial Number
34250100
Covered by © S. Patents #0,980,751
Silver Patent Pending

50050

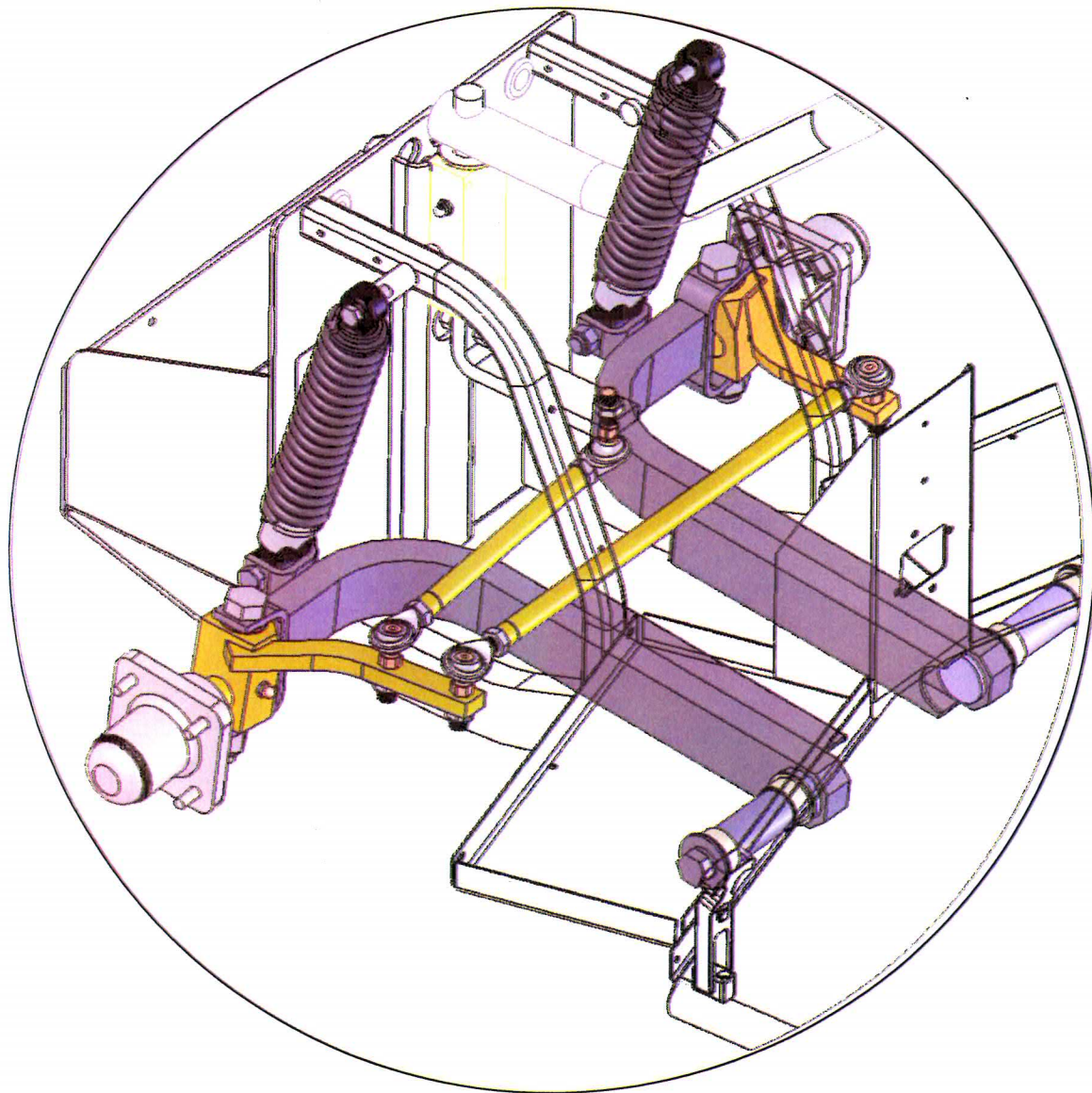
2.1 Steering Tiller Installation

ITEM NO.	PART NUMBER	DESCRIPTION	QTY.
1	50050	Decal, Serial Number	1
2	90221	Grommet Frt Batt. Box	2
3	90122 D	Draw, Latch/Draw Assembly	2
4	20018	Angle Bracket	1
5	60005	Main Frame Asm	1
6	90128	Screw SOC HD, 10-24 x .5	4
7	50060	Strip, Floor Edge	2
8	90123	Pop Rivet Alum 1/8 X .37	8
9	50048	Floor Mat	1
10	90044	Nut, Hex 1/4-20 Nylon Lock	1
11	50053	Plug, Rear Bumper	2
12	90027	Plug Bumper Rear RND	4
13	60064	Hinge, Front Body	1
14	60062	Front Body Mount	1
15	90157S	Pop Rivet, 1/8 x 3/8	6
16	90067	Capscrew, HH 5/16-18 1.00	4
17	90068	Washer, 5/16 Ext Star	4

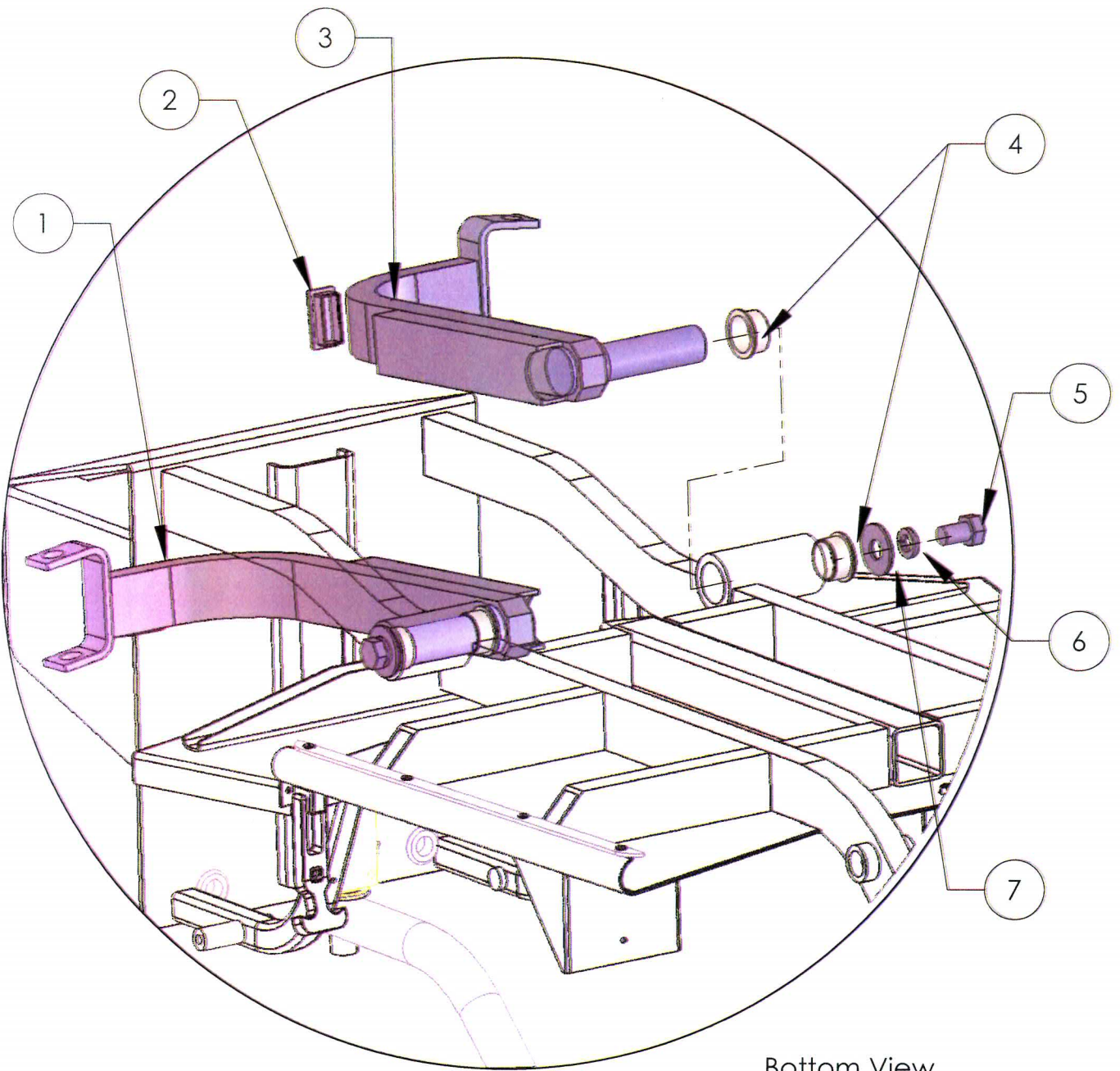


3. Front Suspension Installation

ITEM NO.	PART NUMBER	DESCRIPTION	QTY.
1	10054	F Swingarm Asm, Right	1
2	90230	Plug Frt Susp Aer Rect	2
3	10053	F Swingarm Asm, Left	1
4	90200	Bushing, LFI 2022-12	4
5	90201	Capscrew, HH 3/4-11 x 1.00	2
6	90203	Washer, Spring Lock 5/8	2
7	90202	Washer, Flat 5/8	2



1. Swing Arm Installation

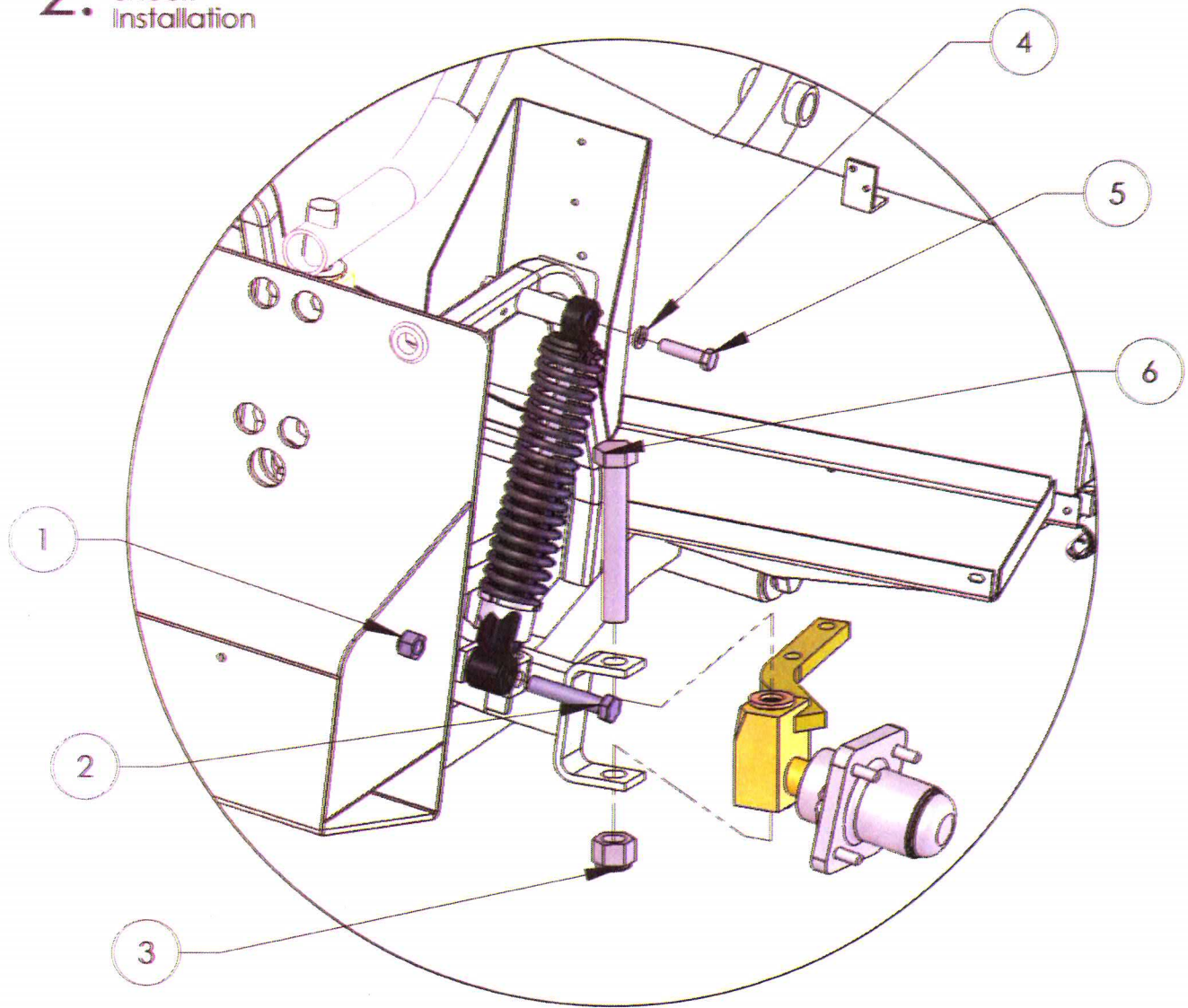


Bottom View

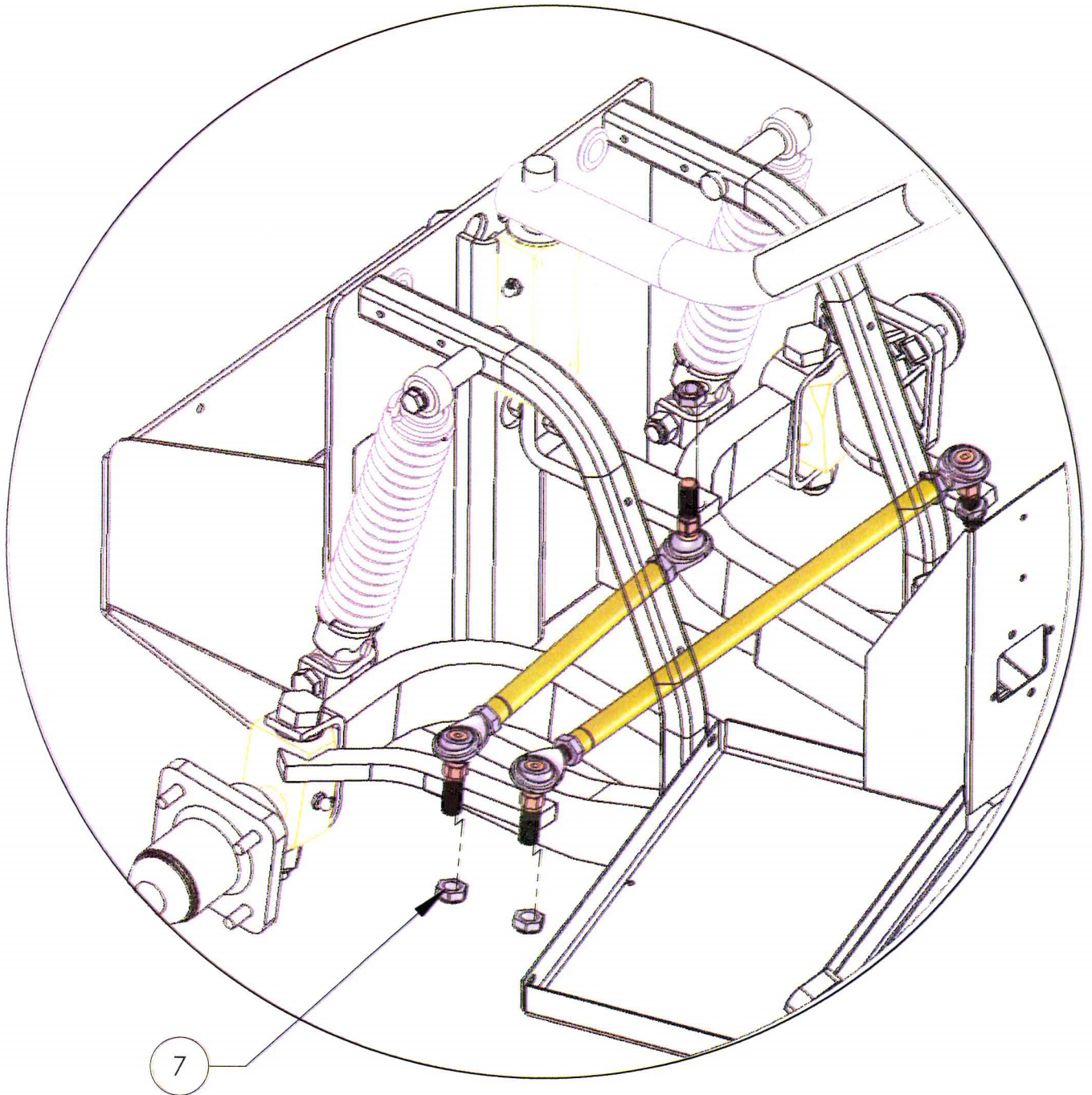
3.1 Shock, Spindle & Tie Rod Installation

ITEM NO.	PART NUMBER	DESCRIPTION	QTY.
1	90166	Nut, HH 1/2-13 Nylock	2
2	90206	Capscrew, HH 1/2-13 x 2.5	2
3	90205	Nut, 3/4 10 Nylock	2
4	90025	Washer, Lock 3/8	2
5	90065	Capscrew, HH 3/8-16 x 1.5	2
6	90204	Capscrew, HH 3/4-10 x 5.0	2
7	90165	Nut Nylock Zinc 1/2-20 Half Height	4

2. Spindle & Shock Installation



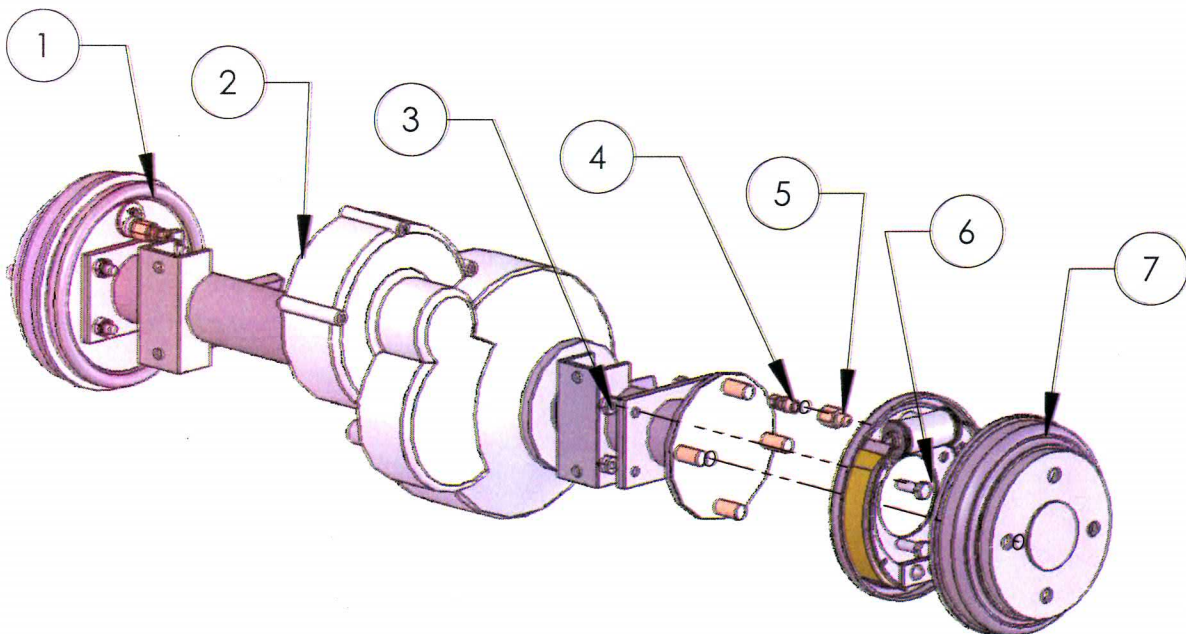
3. Tie Rod Installation



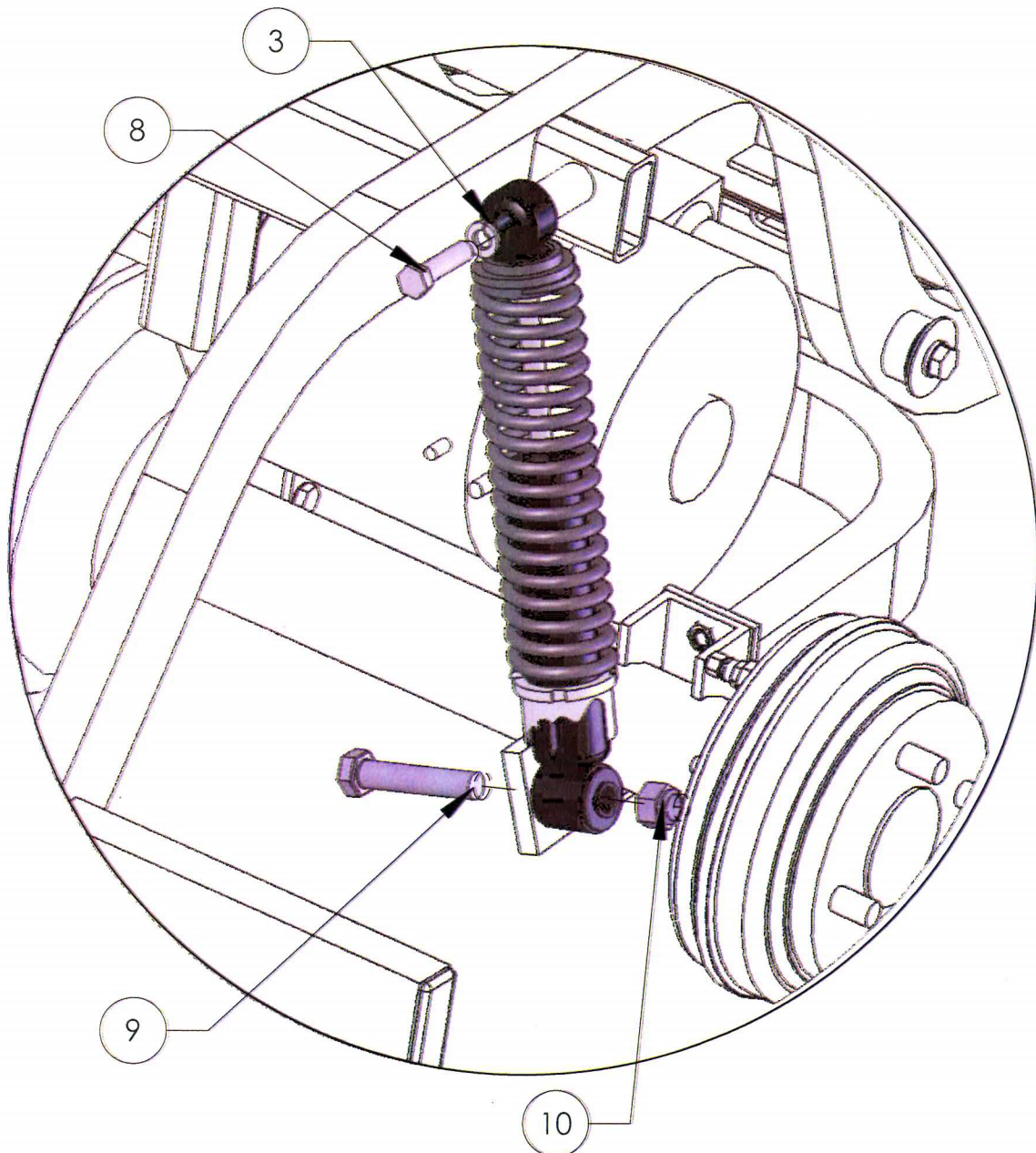
4.1 Transaxle Assembly

ITEM NO.	PART NUMBER	DESCRIPTION	QTY.
1	20040	Brake Cluster	2
2	30047	Axle, Drive, Graziano	1
3	90078	Nut, Nylock Hex 5/16-18	12
4	20033	Fitting, 1/8NPT 68CA-4-2	2
5	90213	Adapter, Brake	2
6	90067	Screw, HH Zinc 5/16-18 X 1.0	12
7	87678	Brake Drum	2
8	40041	Motor Traction DEI-4003	1
9	40042	Parking Brake, Electric	1
10	40043	Spring Motor Brake	1
11	30049	Motor Spacer	1
12	90054	Washer, 1/4 Ext Star	3
13	90208	Capscrew, HH 1/4-20 x3.5	3
14	90018	Bushing, LFI 1214-16	2
15	10060	Rear Suspension Frame	1
16	90209	Capscrew, HH 5/16-18 x 2.0	1
17	90068	Washer, 5/16 Ext Star	1
18	40044	Spacer Motor Mount	1

1. Brake Installation

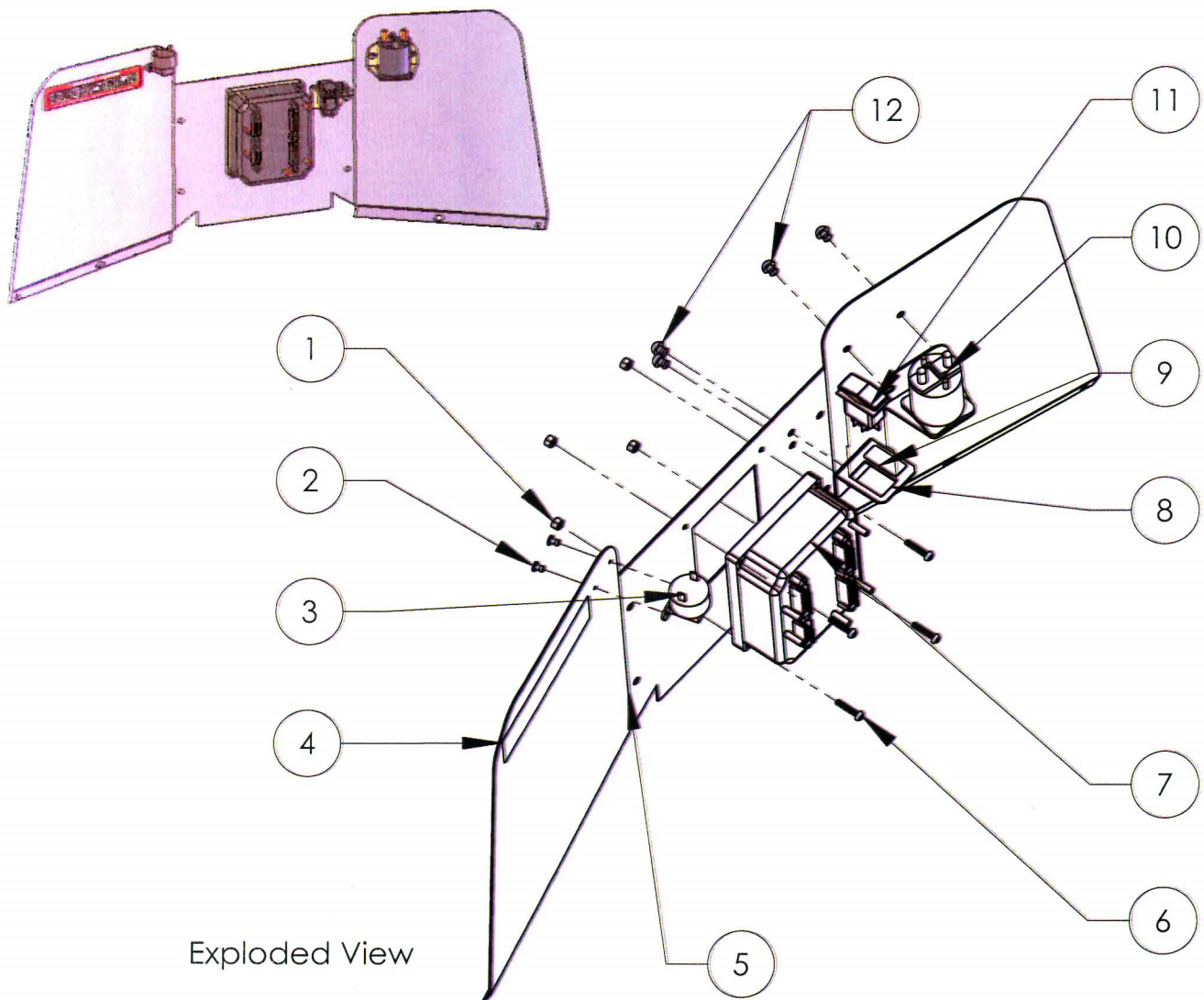


2. Rear Shock Installation



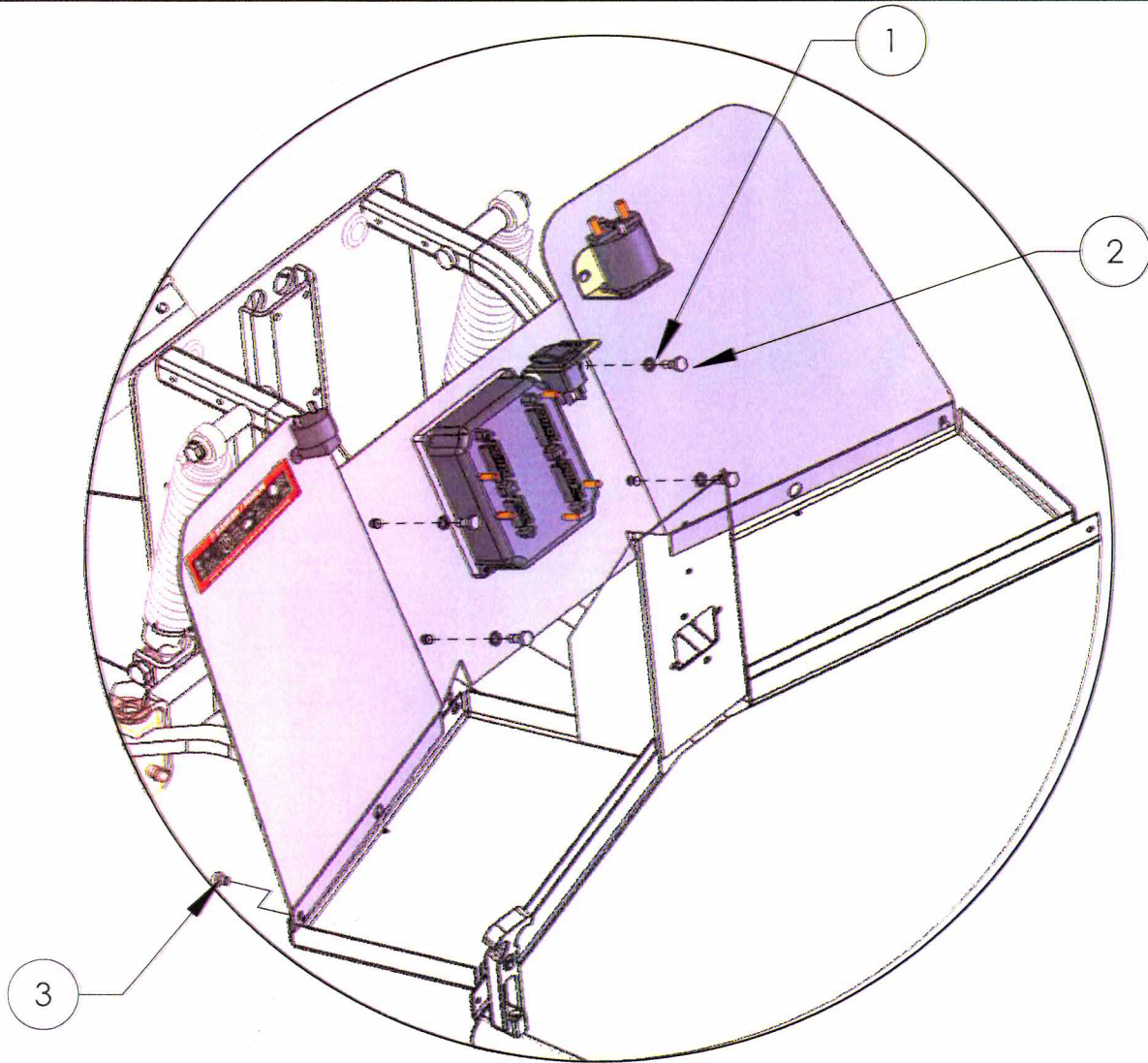
5.1 Electrical Panel Assembly

ITEM NO.	PART NUMBER	DESCRIPTION	QTY.
1	90132	Nut, Hex 10-24 Nylock	4
2	90123	Pop Rivet Alum 1/8 X .37	2
3	1016851	Reverse Buzzer	1
4	1013677	Decal, Battery Warning	1
5	60337	Fender Inner	1
6	90218	Screw, Phi, 10-24 x 1.0	4
7	40045	Zapi Electric Controller SEM 0	1
8	40054	Bracket, Tow Switch	1
9	50061	Decal, Tow Switch	1
10	40019	Contactor, Main	1
11	101856001	Tow Switch	1
12	90157	Pop Rivet, 1/8 x 3/8	4



5.2 Electrical Panel Installation

ITEM NO.	PART NUMBER	DESCRIPTION	QTY.
1	90054	Washer, 1/4 Ext Star	4
2	90090	Capscrew, HH 1/4-20 x .75	4
3	90157	Pop Rivet, 1/8 x 3/8	2



Decals

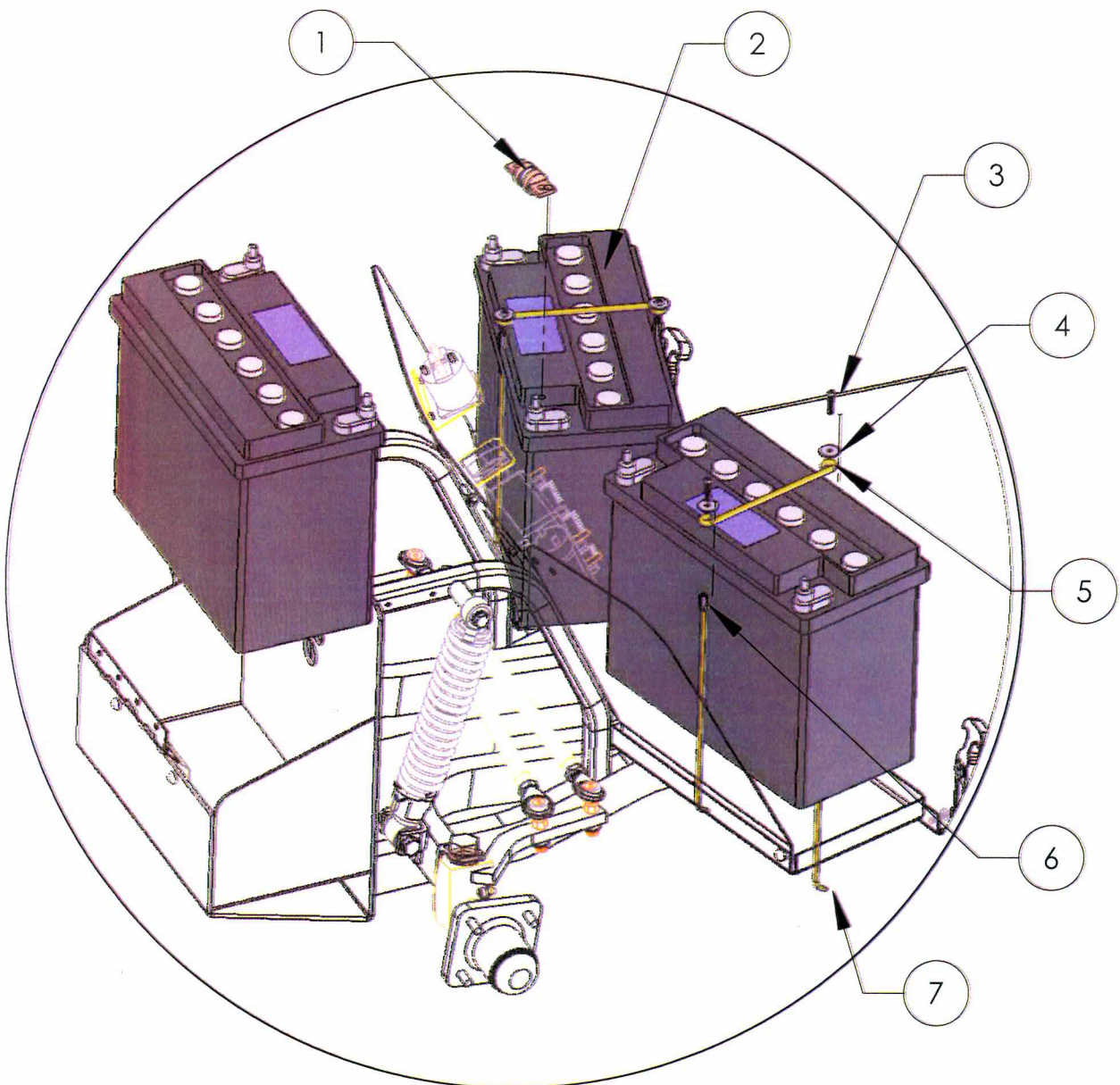


1013677

50061

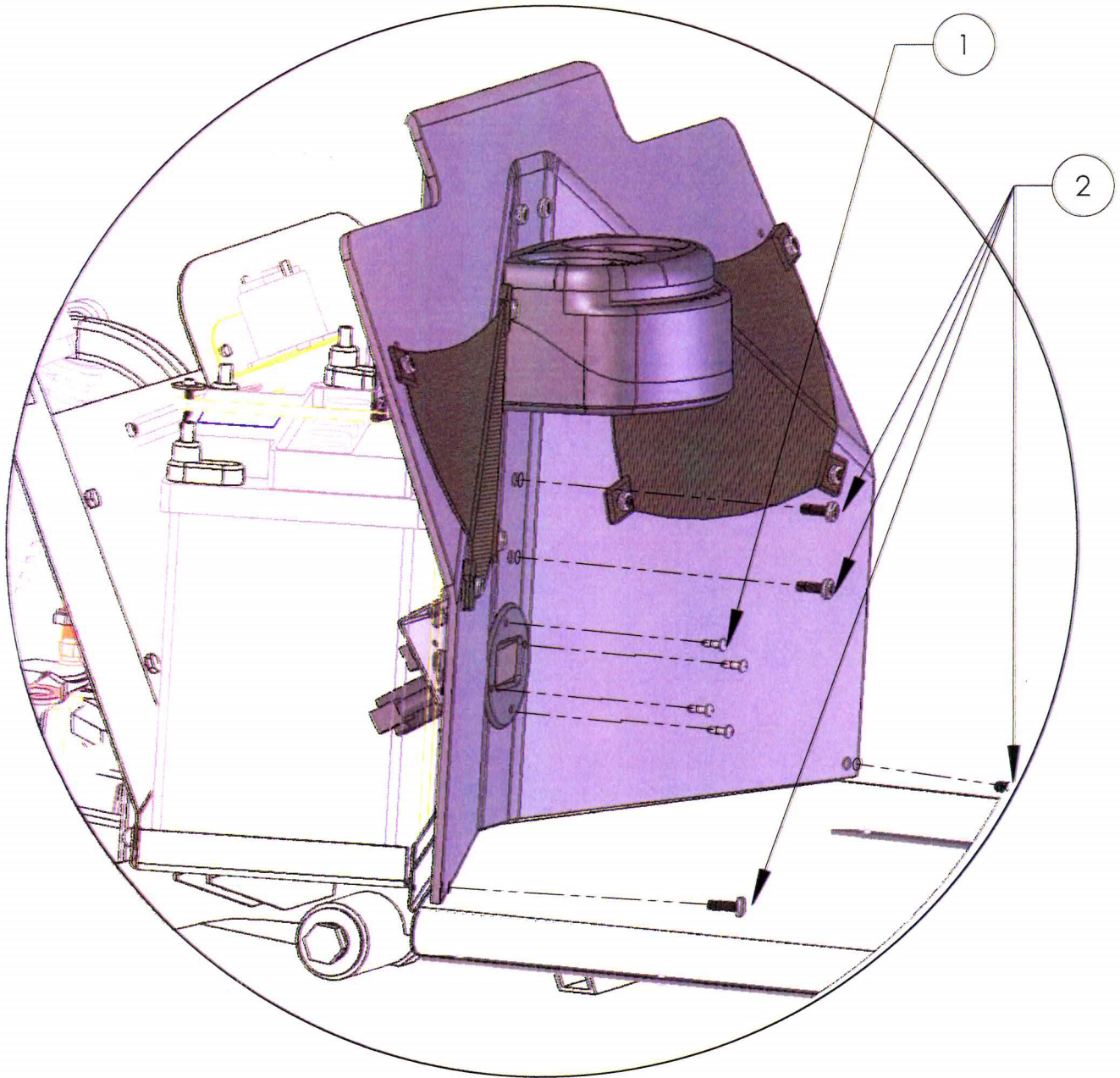
6. Battery Installation

ITEM NO.	PART NUMBER	DESCRIPTION	QTY.
1	40029	Fuse, 150 Amp	1
2	90107	EV-145	3
3	90218	Screw, Phi, 10-24 x 1.0	4
4	90216	Washer, Fender Zinc 10	4
5	40036	Hold Down, Battery	2
6	90136	Coupling Nut, 10-24 x 3/4	4
7	40035	Rod, Battery	4



7. Charge Receptical & Dash Installation

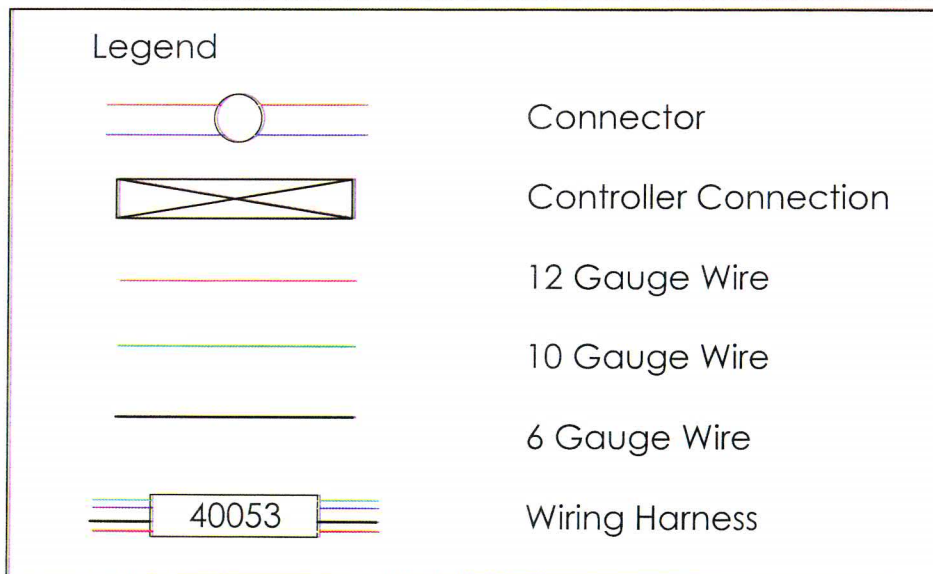
ITEM NO.	PART NUMBER	DESCRIPTION	QTY.
1	90152	Screw, Philpan Zinc Tapping 8 x 5/8	4
2	90092	Screw, HH 1/4-20 x 1.00	4

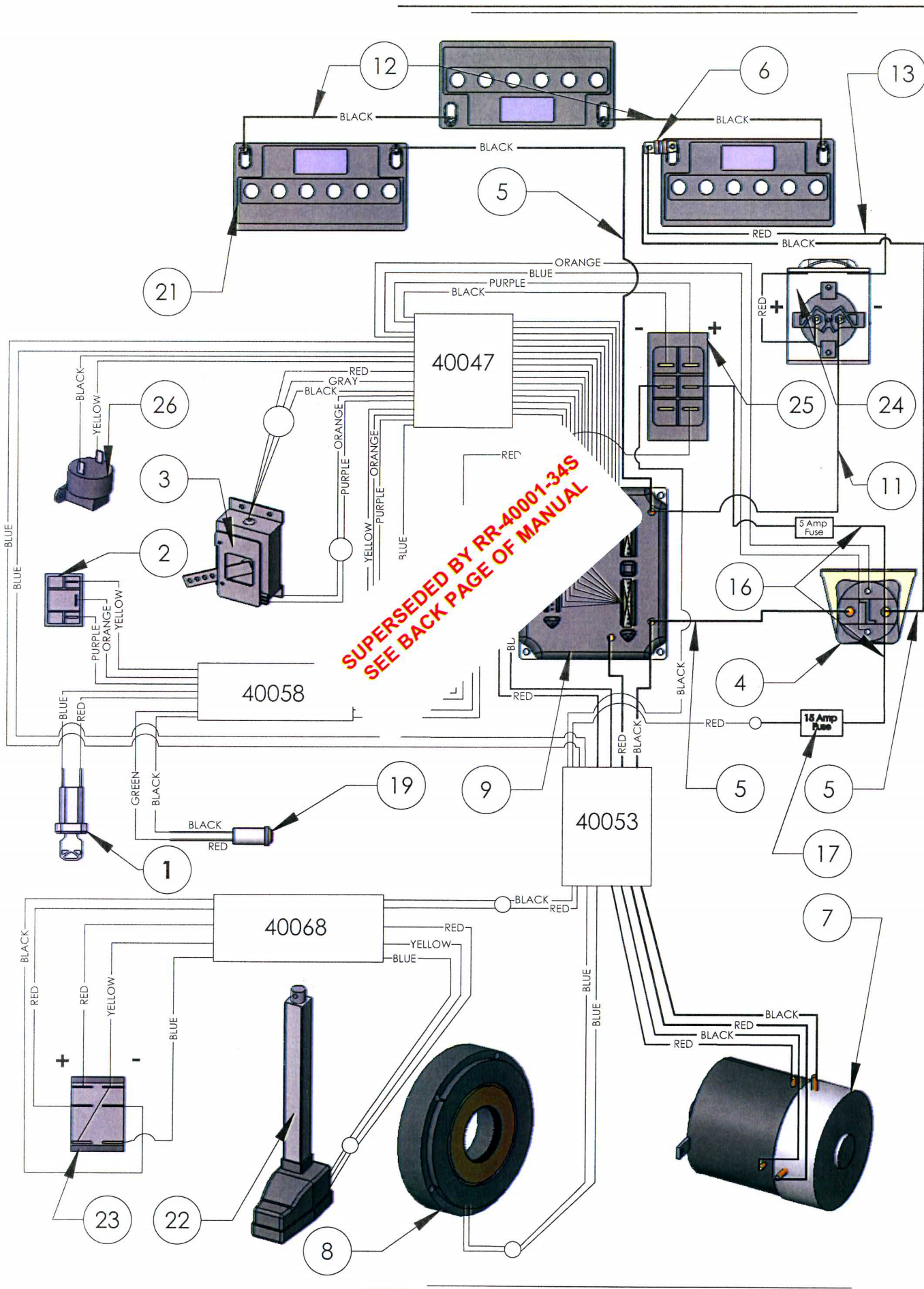


8.0 Wiring Diagram

ITEM NO.	PART NUMBER	DESCRIPTION	QTY.
1	40011	Switch, Key On/Off	1
2	40012	Switch, Fwd./Rev.	1
3	40018	PB6, Pot Box	1
4	40019	Contactor Main	1
5	40022	Wire 14" 6GA BLK	3
6	40029	150 Amp Fuse	1
7	40041	Motor Traction DE1-4003	1
8	40042	Brake, Parking Electric	1
9	40045	Electric Controller SEM0	1
10	40047	Harness Control	1
11	40049	4" 12GA BLK	1
12	40050	6GA BLK	2
13	40052	7" 12GA RED	1
14	40053	Harness Motor	1
15	40055	Wire 7" 12GA BLK	1
16	40056	Wire 12 Fused 16GA BLK	2
17	40056F	15 Amp Fuse	1
18	40058	Wire Harness Tiller	1
19	40059	LED Warning Light	1
20	40068	Wire Harness Seat	1
21	90107	EV145 Battery	3
22	90178	Actuator, 36V 12 Stroke	1
23	90179	Switch, Toggle	1
24	101342501	Recharge Receptacle	1
25	101856001	Switch, Tow	1
26	1016851	Reverse Buzzer	1

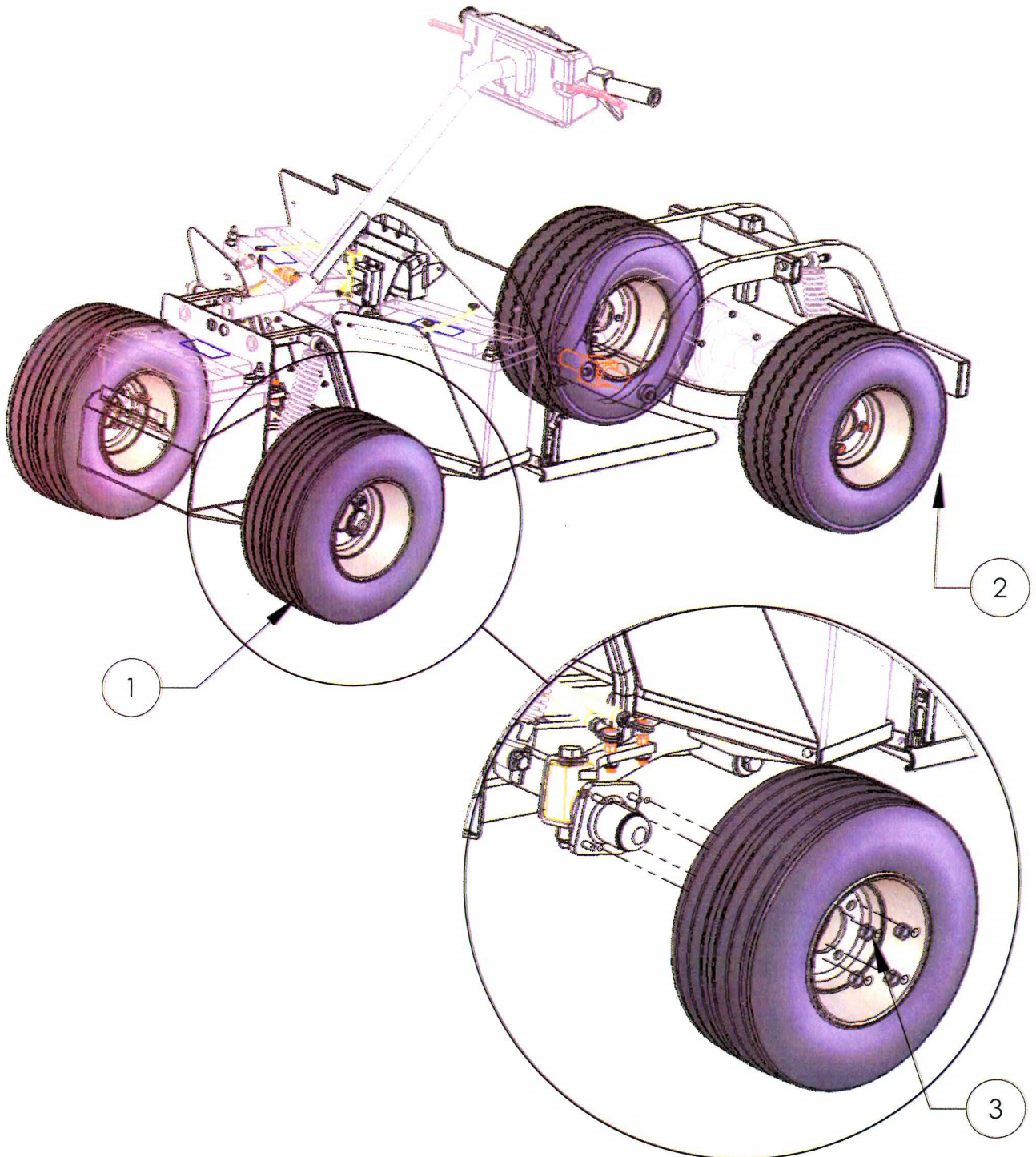
SUPERSEDED BY RR-40001-34S
SEE BACK PAGE OF MANUAL





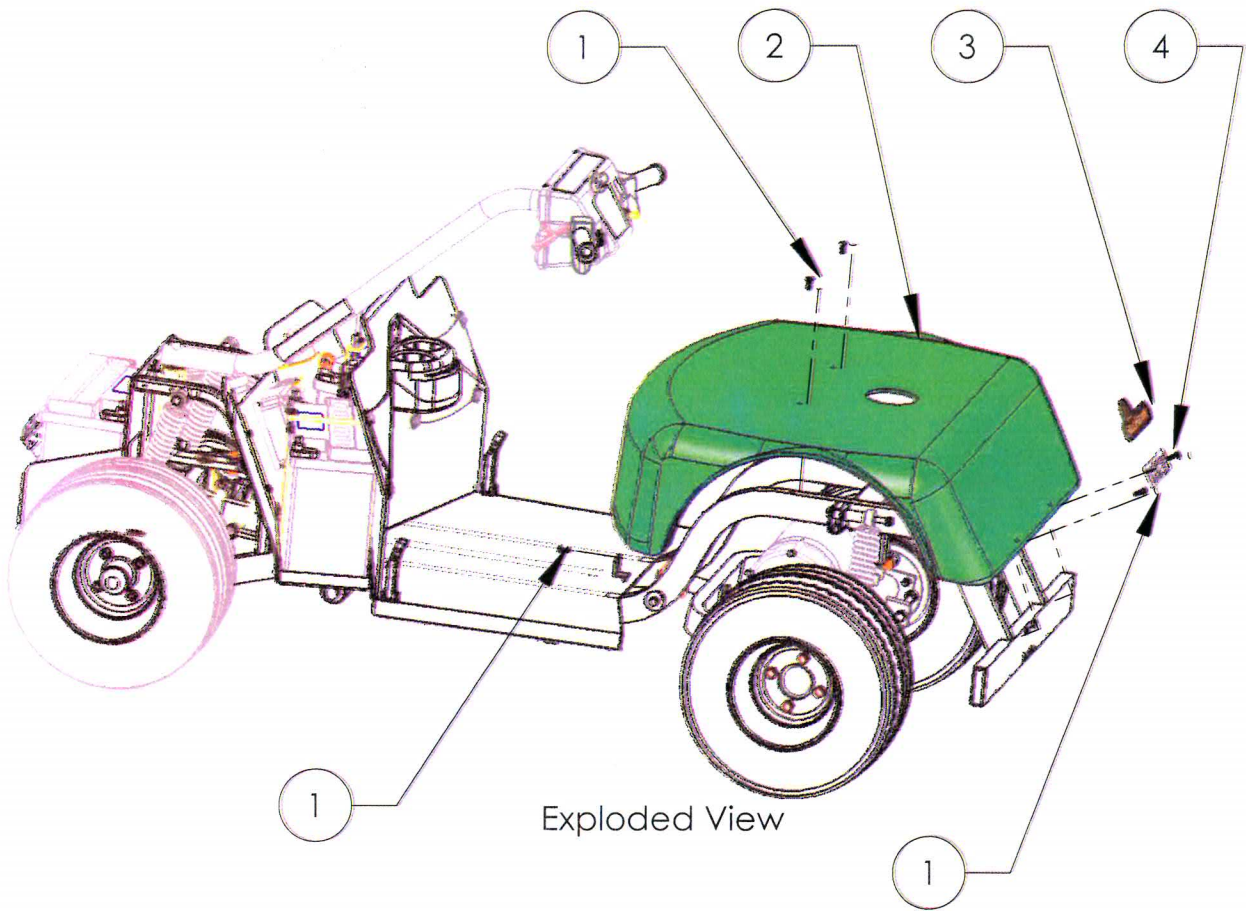
9. Tire Installation

ITEM NO.	PART NUMBER	DESCRIPTION	QTY.
1	51898	Carlisle Turf Glide Front	2
2	51927	Rated Carlisle Links Rear	2
3	90115	Nut, Lug 1/2-20	16



10. Rear Body Installation

ITEM NO.	PART NUMBER	DESCRIPTION	QTY.
1	90092	Screw, HH 1/4-20 x 1.00	5
2	50045	Rear Body	1
3	60401	Large Solo Decal	1
4	60402	Phone/Address/Web Decal	1



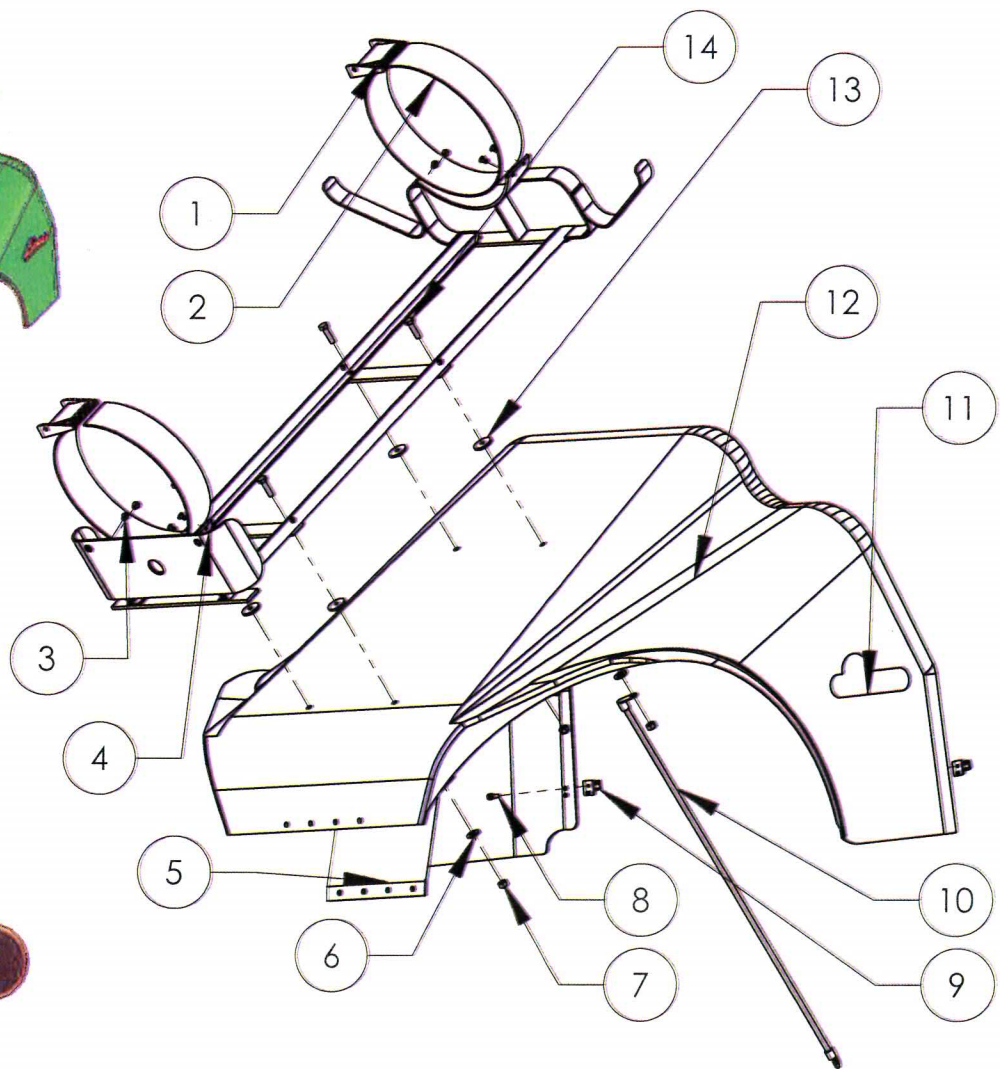
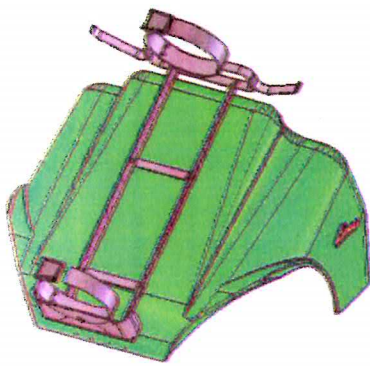
60401

www.SoloRider.com
800-898-3353

60402

11.1 Hood Assembly

ITEM NO.	PART NUMBER	DESCRIPTION	QTY.
1	90112	Buckle, Cam 2" Black	2
2	50028	Belt, Bag Holder	2
3	90123	Pop Rivet Alum 1/8 X .37	4
4	60057	Bag Rack	1
5	60063	Strap, Ft. Body Hinge Mtg	1
6	90095	Washer Flat SAE Zinc 1/4	4
7	90044	Nut, Hex 1/4-20 Nylon Lock	4
8	90128	Screw SOC HD, 10-24 x .5	2
9	90122	Latch, Latch/Draw Assembly	2
10	50027	Cable, Front Body Lanyard	1
11	60400	Small Solo Decal	2
12	50047	Body, Front Green	1
13	90236	Rubber Washer .23 x 1.00 x .1	4
14	90053	Capscrew, HH 1/4-20 x 1.0	4



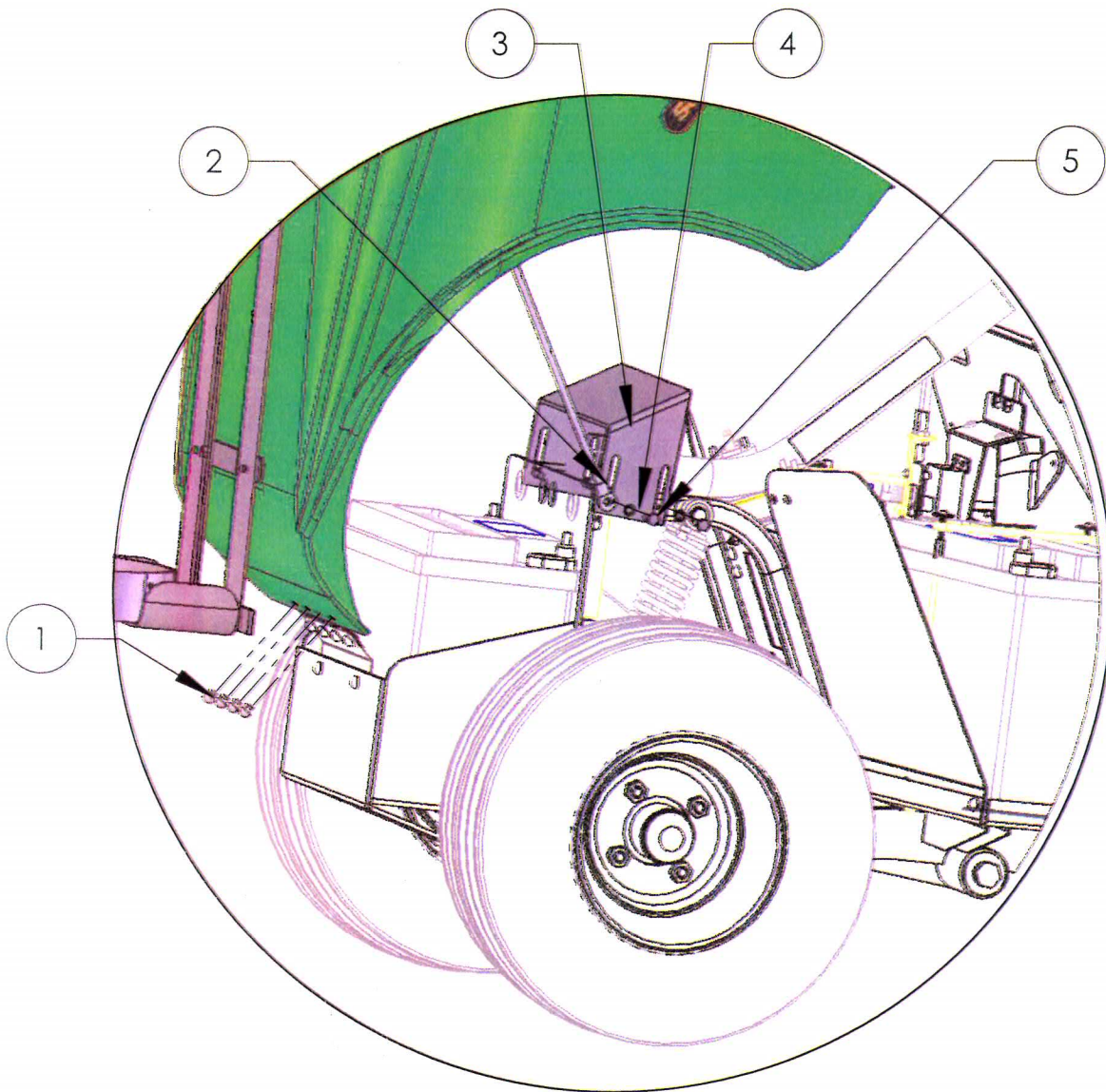
Decal



60400

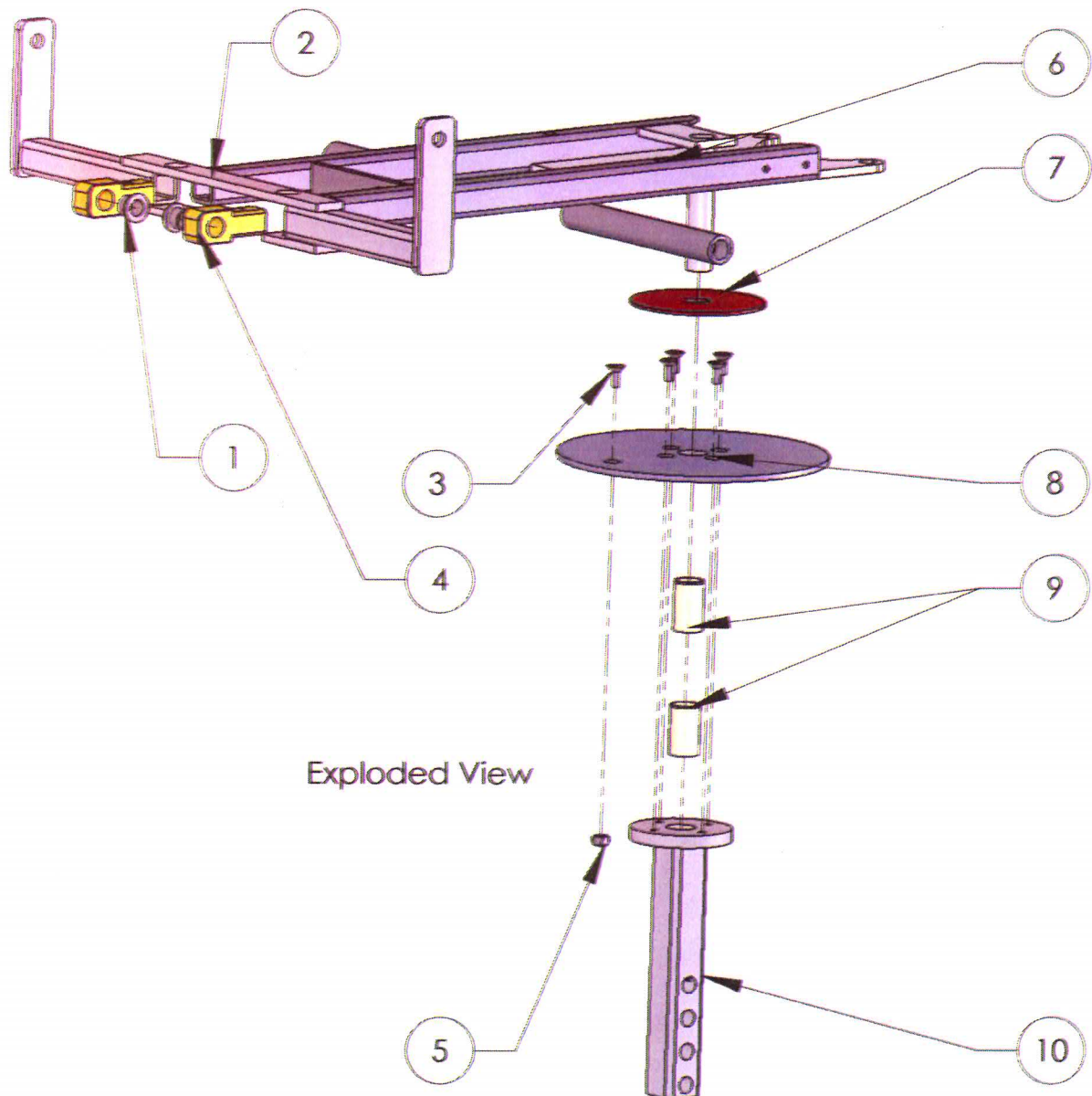
11.2 Hood & Support Installation

ITEM NO.	PART NUMBER	DESCRIPTION	QTY.
1	90157	Pop Rivet, 1/8 x 3/8	4
2	50027	Cable, Front Body Lanyard	1
3	60360	Strap, Ft Body Support	1
4	90054	Washer, 1/4 Ext Star	4
5	90053	Capscrew, HH 1/4-20 x 1.0	4



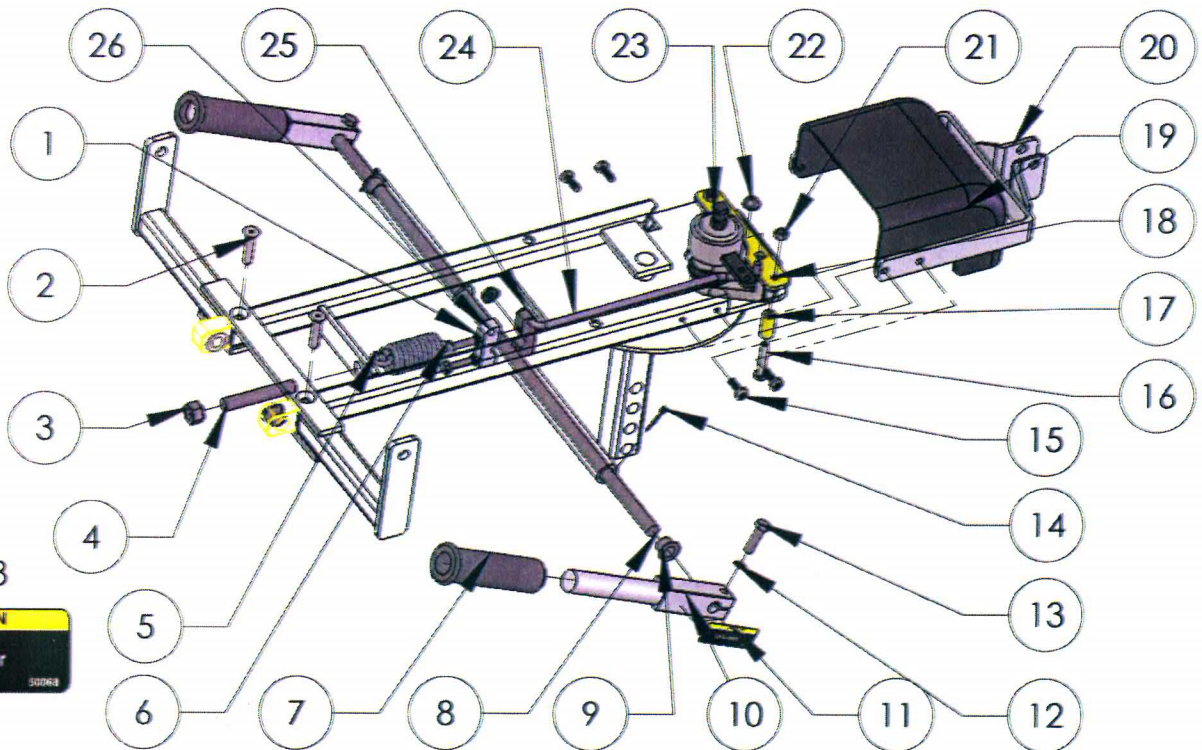
12.1 Seat Frame Installation

ITEM NO.	PART NUMBER	DESCRIPTION	QTY.
1	90010	Bushing, MFI 0810-08	2
2	60247	Asm, Pivot Frame	1
3	90093	Screw, FH 1/4-20 x 5/8	5
4	60242	Seat Pivot	2
5	90044	Nut, Hex 1/4-20 Nylon Lock	1
6	60016	Seat Frame Asm	1
7	90046	Iglide Thrust Bearing, RTI 12-64	1
8	20014	Disk, Seat Brake	1
9	90174	Bushing, LSI 1214 24	2
10	60336	Seat Post Asm	1



12.2 Seat Brake Installation

ITEM NO.	PART NUMBER	DESCRIPTION	QTY.
1	90054	Washer, 1/4 Ext Star	2
2	90222	Screw, Flat SH BO 5/16-18 x 1.5	2
3	90048	Nut, Hex 1/2 -13	1
4	60027	Bolt, Seat Spring Adj	1
5	90047	Spring, Extension	1
6	90053	Capscrew, HH 1/4-20 x 1.0	2
7	90074	ODI Hand Grip	2
8	60019	Shaft, Seat Brake	1
9	90010	Bushing, MFI 0810-08	2
10	60021	Handle, Seat Brake	2
11	50068	Decal, Seat Handle	2
12	90068	Washer, 5/16 Ext Star	2
13	90067	Capscrew, HH 5/16-18 1.00	2
14	90167	Roll Pin, 3/32 x 1.0	2
15	90092	Screw, HH 1/4-20 x 1.00	6
16	90094	Capscrew, HH 1/4-20 x 1.5	2
17	60026	Tube, Seat Brake Caliper	2
18	60017	Plate, Caliper Mount	1
19	50024	Cover, Seat Brake	1
20	60284	Actuator, Mount	1
21	90044	Nut, Hex 1/4-20 Nylon Lock	3
22	90111	1/4 Push Nut Plastic Black	2
23	20013	Caliper, Seat Brake	1
24	60025	Rod, Seat Brake Release	1
25	60022	Swivel Lock, Tapped	1
26	60023	Swivel Lock	1

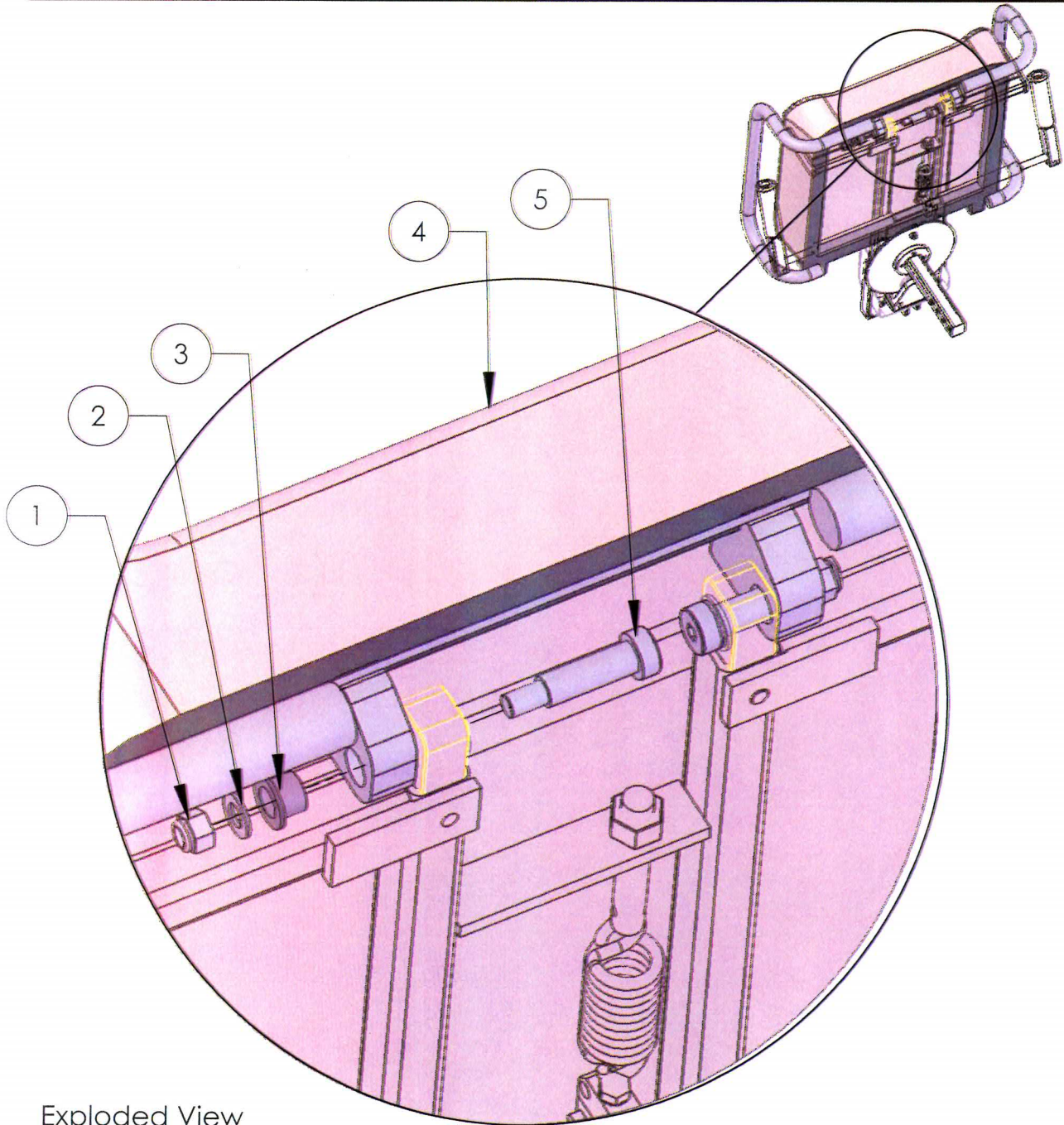


50068

CAUTION
No Transfer

12.3 Seat Bottom Installation

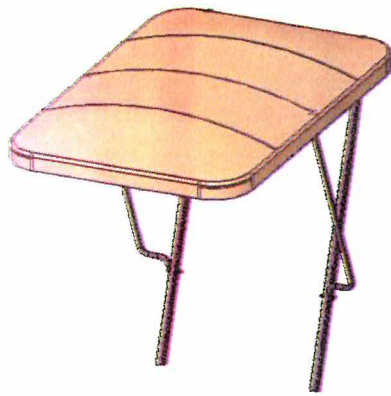
ITEM NO.	PART NUMBER	DESCRIPTION	QTY.
1	90059	Nut, Hex 3/8-16 Nylock	2
2	90060	Washer, 3/8 Flat	2
3	90010	Bushing, MFI 0810-08	2
4	60257	Seat Bottom	1
5	90223	Screw, HSH 1/2x1.5, 3/8-16	2



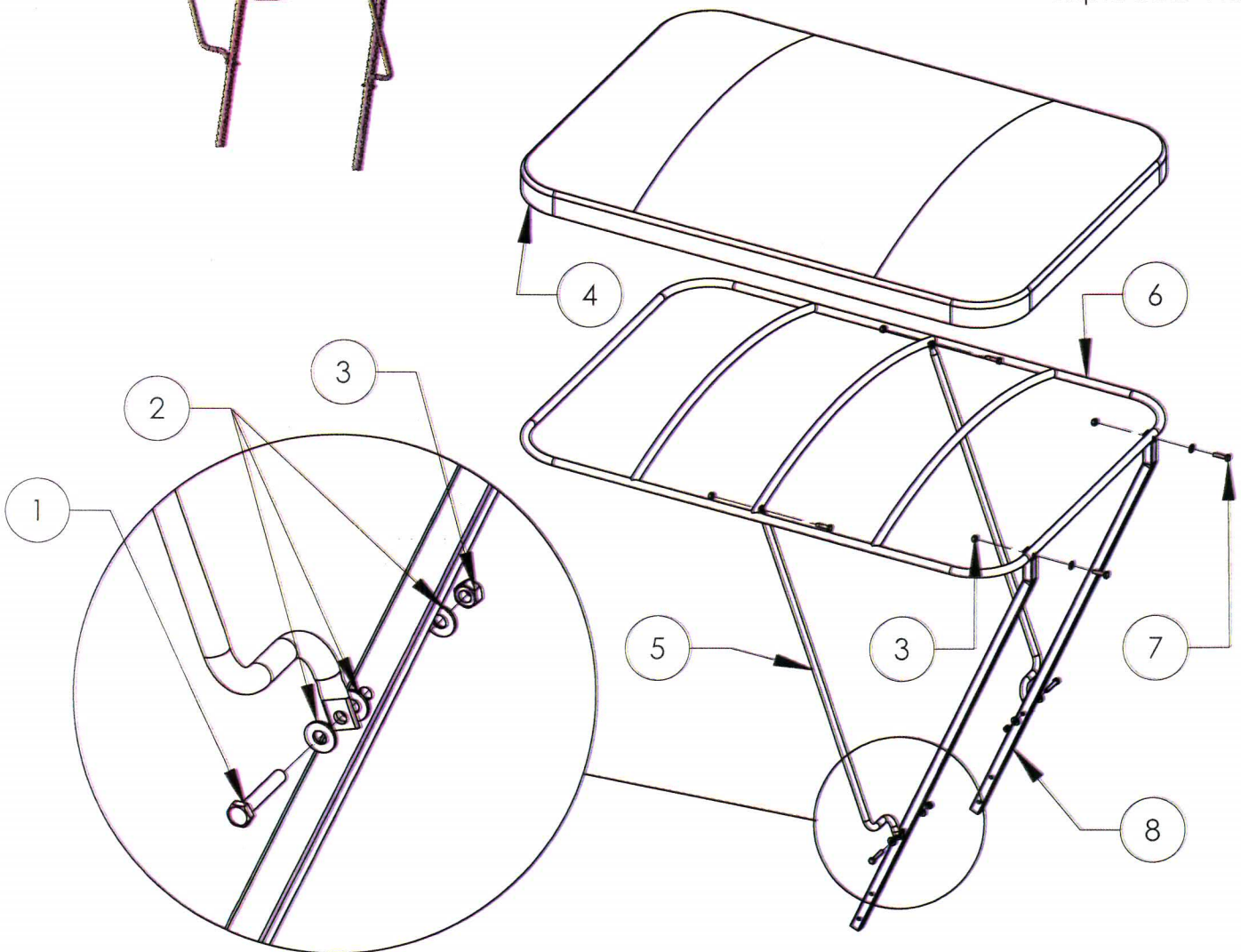
Exploded View

12.4 Sun Canopy Assembly

ITEM NO.	PART NUMBER	DESCRIPTION	QTY.
1	90094	Capscrew, HH 1/4-20 x 1.5	2
2	90095	Washer, Flat SAE Zinc 1/4	8
3	90044	Nut, Hex 1/4-20 Nylon Lock	6
4	60204	Canopy, Cover	1
5	60203	Canopy, Front Post	2
6	60201	Canopy, Top Weldment	1
7	90053	Capscrew, HH 1/4-20 x 1.0	4
8	60202	Canopy, Rear Post	2

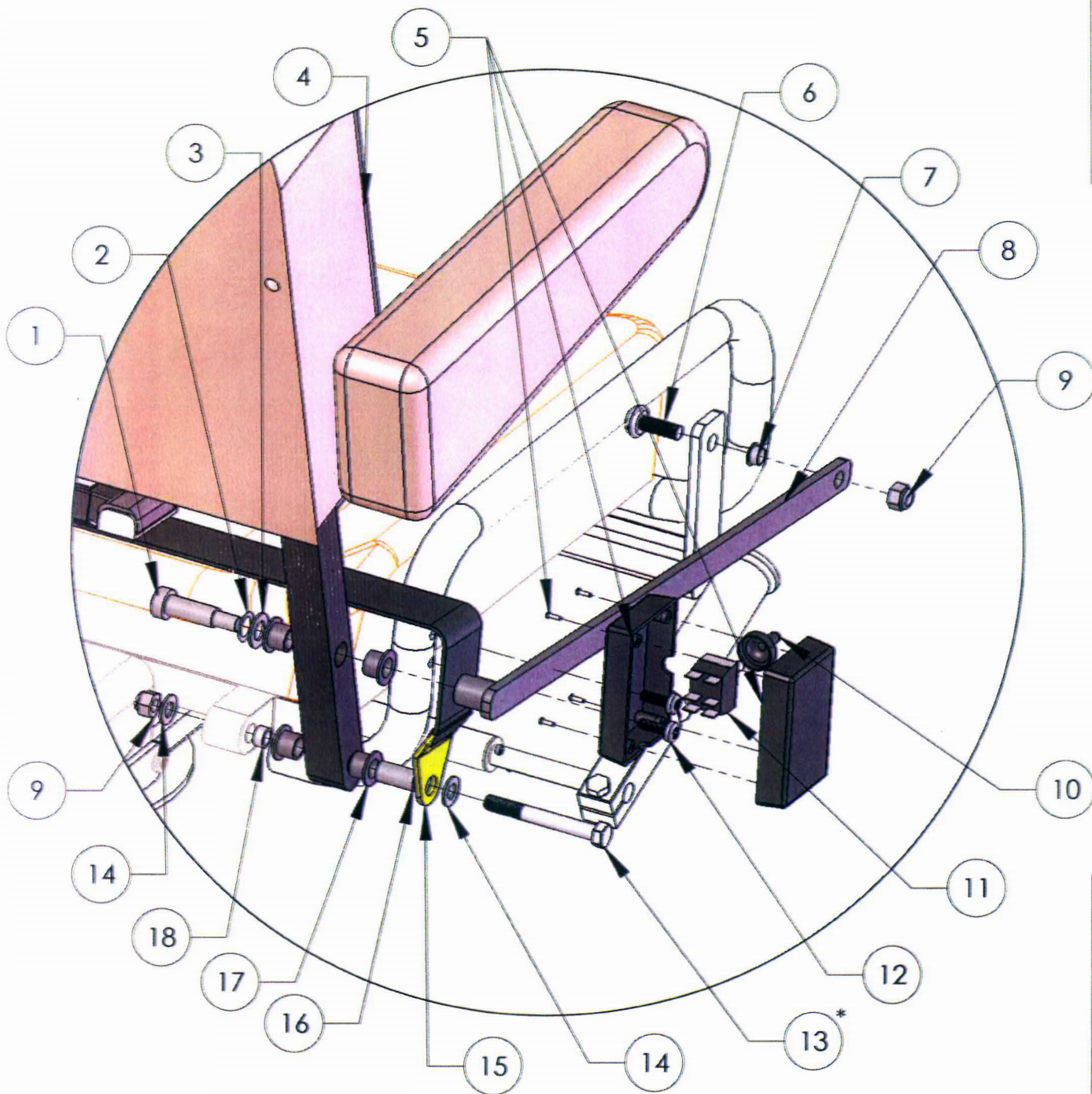


Exploded View



12.5 Standard Seat Back & Switch Installation

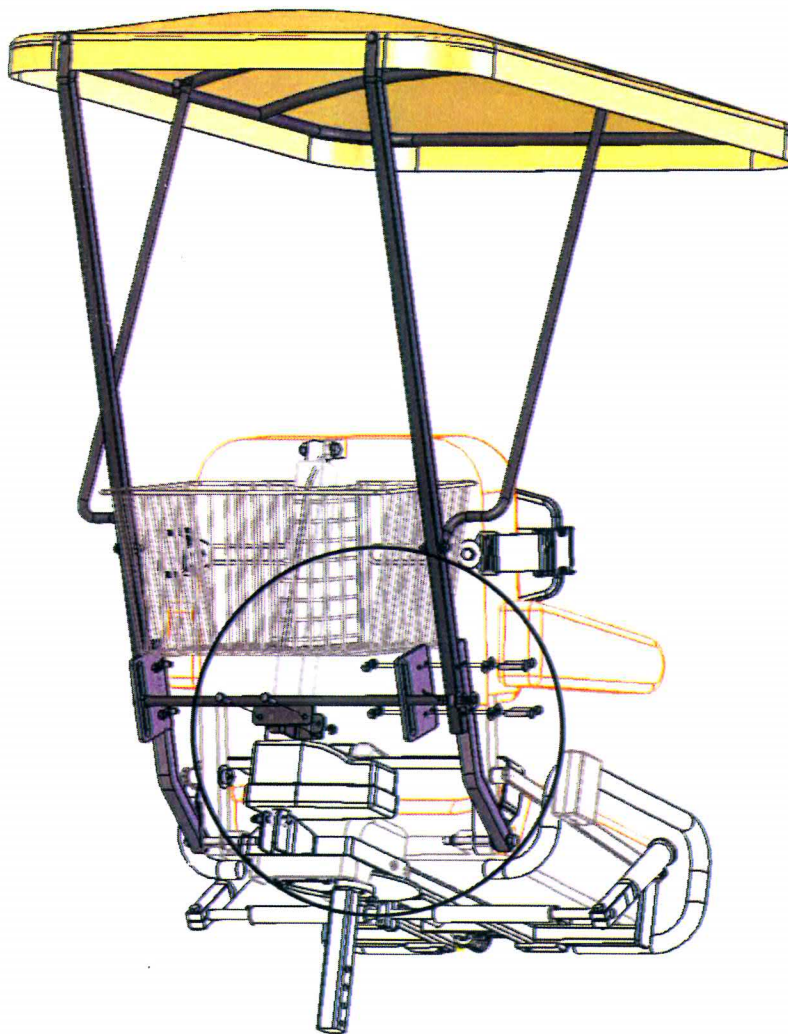
ITEM NO.	PART NUMBER	DESCRIPTION	QTY.
1	90082 SS	Screw, Shldr BO 1/2-16 x 1.25	2
2	90073	Washer, 1/2 Wave	2
3	90012	1/2 Flat Washer	2
4	60238	Seat Back	1
5	90180	Switch Housing	1
6	90404	Screw, Slot RND 3/8-16 x 1.00	2
7	90211	Bushing MFI 0607 04	2
8	60248	Linkage	2
9	90059	Nut, Hex 3/8-16 Nylock	4
10	90179C	Rubber Toggle Switch Cover	1
11	90179	Toggle Switch	1
12	90092	Screw, HH 1/4-20 x 1.00	2
13	90087	Capscrew, HH 3/8-16 3.00	2
14	90060	Washer, 3/8 Flat	4
15	60240	Seat Belt	1
16	90210	Bushing PL MSI 0608 16	2
17	90010	Bushing, MFI 0810-08	2
18	90214	Bushing PL MFI 0607 04	2

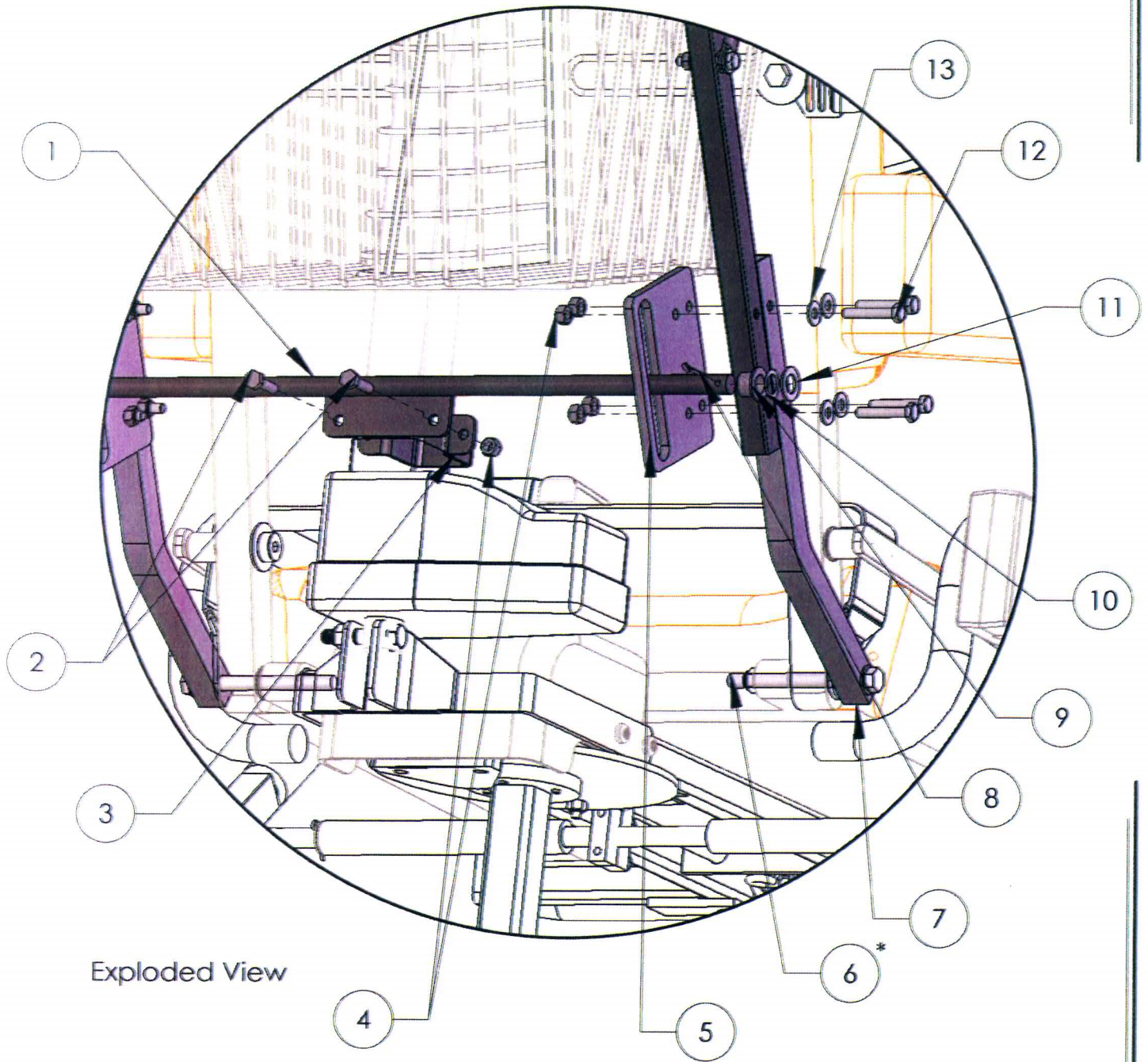


*If Installing A Canopy Assembly Refer To Next Section, Item Number 6

12.6 Sun Canopy Installation

ITEM NO.	PART NUMBER	DESCRIPTION	QTY.
1	60288	Lock Collar & Rod Assembly	1
2	90053	Capscrew, HH 1/4-20 x 1.0	2
3	60286	Mount Canopy Support	1
4	90044	Nut, Hex 1/4-20 Nylon Lock	10
5	60368	Plate Pivot	2
6	90408	3/8-16 x 4.00	2
7	60352	TUBE, LOWER REAR	2
8	90167	Roll Pin, 3/32 x 1.0	2
9	90010	Bushing, MFI 0810-08	2
10	90073	Washer, 1/2 Wave	2
11	90012	1/2 Flat Washer	2
12	90094	Capscrew, HH 1/4-20 x 1.5	8
13	90095	Washer, Flat SAE Zinc 1/4	8



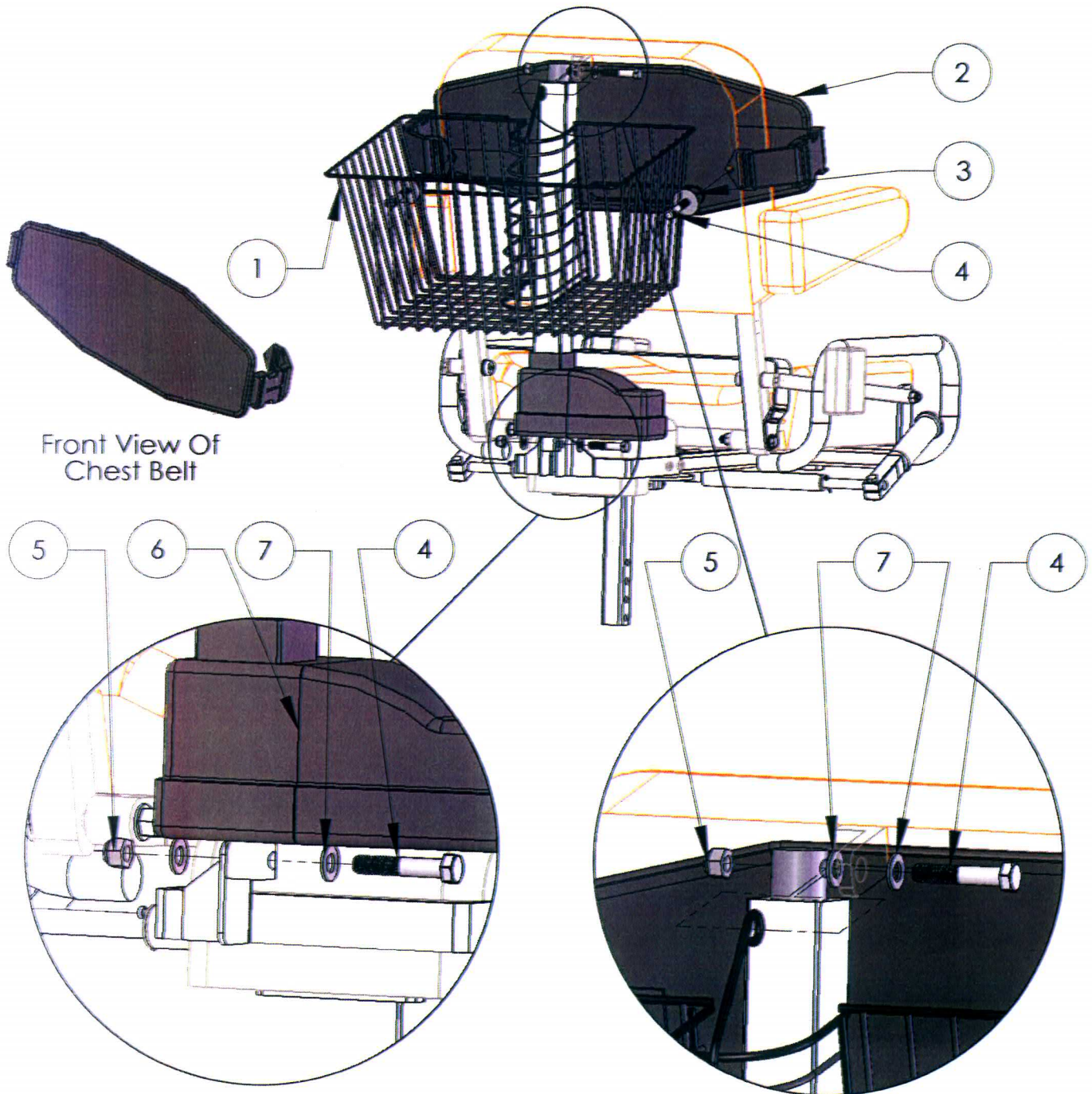


Exploded View

* Replaces Part 90087

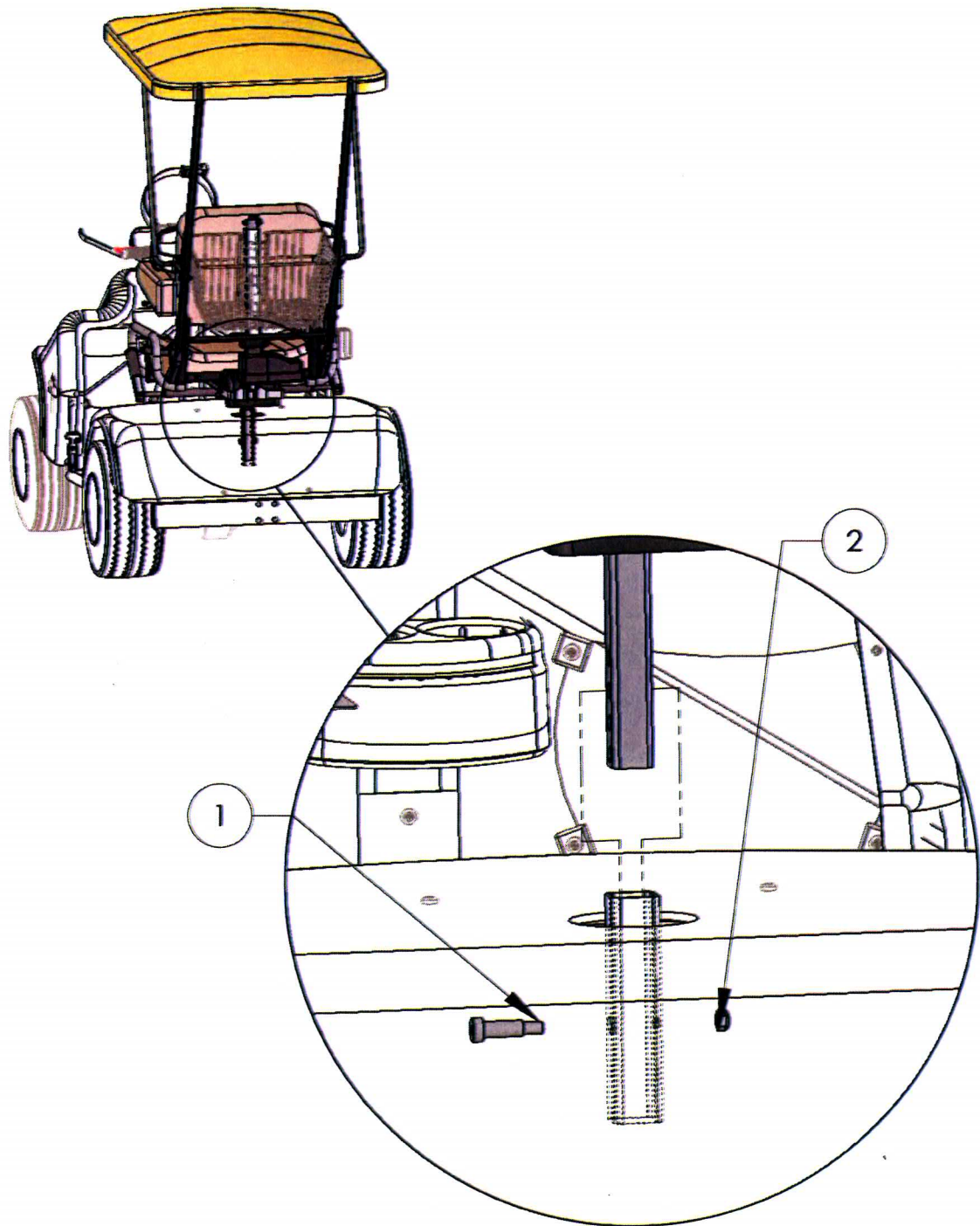
12.7 Actuator & Basket Installation

ITEM NO.	PART NUMBER	DESCRIPTION	QTY.
1	80012	Seat Basket	1
2	50031	Chest Belt	1
3	90207	Washer, Flat 3/8	2
4	90401	Capscrew, HH 3/8-16 x 2.00	4
5	90059	Nut, Hex 3/8-16 Nylock	2
6	90178	Actuator, 36 Volt 12 Stroke	1
7	90060	Washer, 3/8 Flat	4



12.8 Stand-up Seat Installation

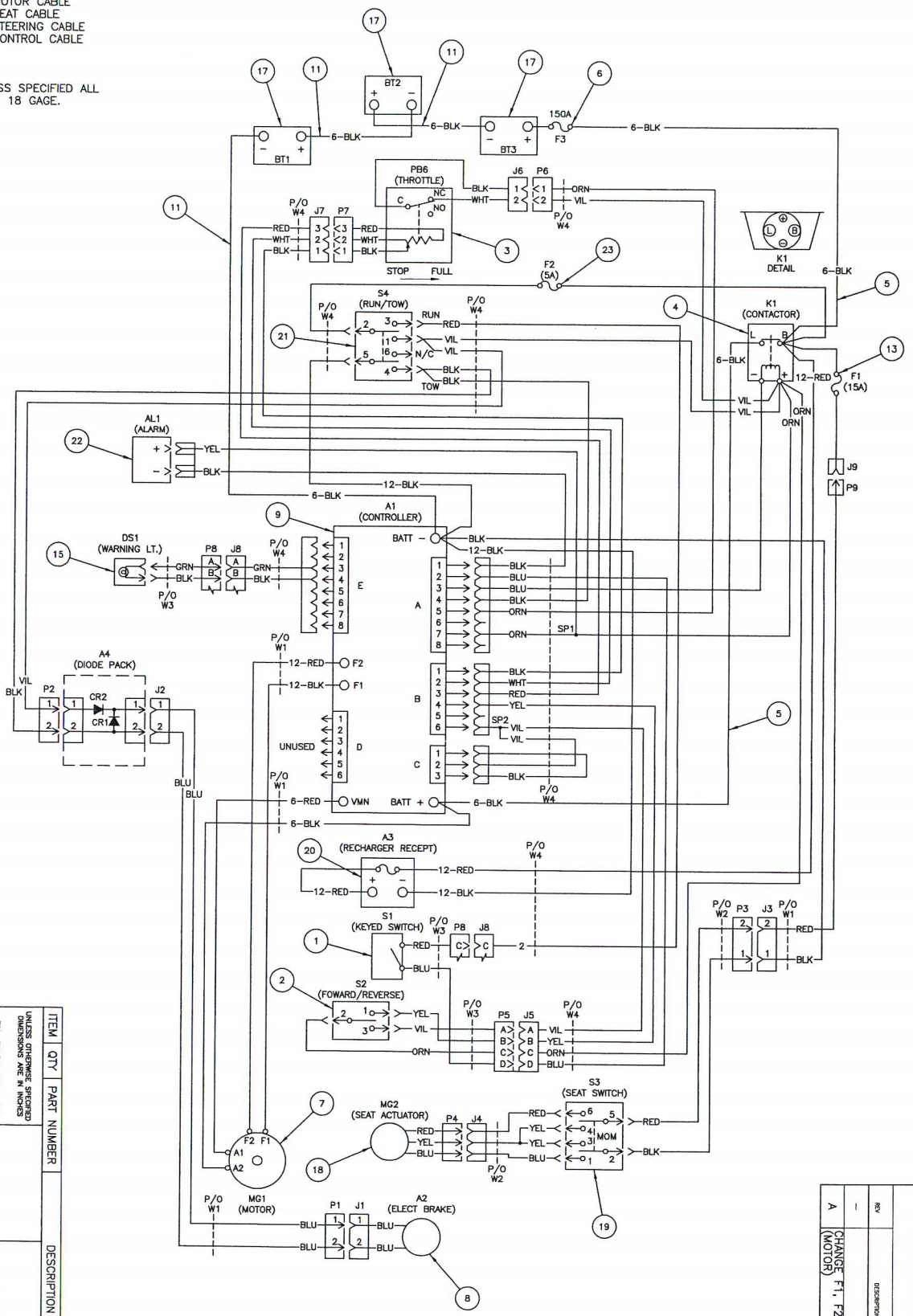
ITEM NO.	PART NUMBER	DESCRIPTION	QTY.
1	90082 SS	Screw, Shldr BO 1/2-16 x 1.25	1
2	90215	Nut, Autolock Zinc 3/8-16	1



Exploded View

- W1 = MOTOR CABLE
- W2 = SEAT CABLE
- W3 = STEERING CABLE
- W4 = CONTROL CABLE

NOTES:
 1. UNLESS SPECIFIED ALL WIRES 18 GAGE.



ITEM	QTY	PART NUMBER	DESCRIPTION	NOTES
UNLESS OTHERWISE SPECIFIED DIMENSIONS ARE IN INCHES				
TOL. ON DIM. XX = ±.1				
XX = ±.02				
XX = ±.010				
CONGRUENT PARTS TO BE ON A COMMON AXIS TO BE WITHIN .010				
THIRD ANGLE PROJECTION				
WIRING DIAGRAM, SOLORIDER VERSION 2				
PART NO. RR-40001-34S REV. A SHEET 1 OF 2				

REVISIONS			
REV	DESCRIPTION	DATE	APP'D
A	CHANGE F1, F2 ON MG1 (MOTOR)	04/29/09	JRH

ITEM NO.	REF DES.	PART NUMBER	DESCRIPTION	QTY.
1	S1	40011	SWITCH, KEY ON/OFF	1
2	S2	40012	SWITCH, FORWARD/REVERSE	1
3	PB6	40018	POT BOX THROTTLE	1
4	K1	40019	CONTACTOR MAIN	1
5	-	40022	WIRE 14" 6 GAGE BLK	2
6	F3	40029	150 AMP FUSE	1
7	MG1	40041	MOTOR TRACTION DE1-4003	1
8	A2	40042	BRAKE, PARKING ELECTRIC	1
9	A1	40045	ELECTRIC CONTROLLER SEMO	1
10	W4	40047R	WIRE HARNESS CONTROL	1
11	-	40050	WIRE 27" 6 GAGE BLK	3
12	W1	40053	WIRE HARNESS MOTOR	1
13	F1	40056R-15	15 AMP FUSE ASSY	1
14	W3	40058R	WIRE HARNESS STEERING	1
15	DS1	40059	LED WARNING LIGHT	1
16	W2	40068	WIRE HARNESS SEAT	1
17	BT1 BT2 BT3	90107	EV145 BATTERY	3
18	MG2	90178	SEAT ACTUATOR, 36V 12 STROKE	1
19	S3	90179	SWITCH, SEAT TOGGLE	1
20	A3	101342501	RECHARGE RECEPTACLE	1
21	S4	101856001	SWITCH, RUN/TOW	1
22	AL1	1016851	ALARM, REVERSE	1
23	F2	40056R-5	5 AMP FUSE ASSY	1

REV	DESCRIPTION	DATE	APPD
-			

